

# SKF TKTL 31



Instructions for use  
Bedienungsanleitung  
Instrucciones de uso  
Mode d'emploi

Manuale d'istruzioni  
Instruções de uso  
Инструкция по эксплуатации  
使用说明书



|    |           |     |
|----|-----------|-----|
| EN | English   | 2   |
| DE | Deutsch   | 16  |
| ES | Español   | 30  |
| FR | Français  | 44  |
| IT | Italiano  | 58  |
| PT | Português | 72  |
| RU | Русский   | 86  |
| ZH | 中文        | 100 |

## Table of contents

|   |    |
|---|----|
| Safety recommendations.....                 | 3  |
| EC Declaration of conformity .....          | 4  |
| UK Declaration of conformity.....           | 5  |
| 1. Introduction.....                        | 6  |
| 2. Quick start.....                         | 6  |
| 3. Features .....                           | 6  |
| 4. Technical data.....                      | 7  |
| 5. Front panel and button description ..... | 9  |
| 6. Display overview.....                    | 11 |
| 7. Menu overview .....                      | 11 |
| 8. Measurement settings .....               | 12 |
| 9. Maintenance .....                        | 13 |
| 9.1 Storage & cleaning .....                | 13 |
| 9.2 LCD error messages.....                 | 13 |
| 9.3 Batteries .....                         | 13 |
| 10. Notes .....                             | 14 |
| 11. Emissivity table.....                   | 15 |
| 12. Spare parts.....                        | 15 |



## Safety recommendations

- Always read and follow the operating instructions for use.
- Never stare directly into the laser source. Class II laser product.
- Never aim the laser beams into anyone's eyes.
- Never open the instrument.
- Never use the instrument under rain or very wet conditions
- Not for intrinsically safe area
- All repair work should be taken care of by an SKF repair shop.
- Here is a table of hazardous substance name and concentration for TKTL 31:

| Part name    | Hazardous Substances |         |         |                     |                          |                                |
|--------------|----------------------|---------|---------|---------------------|--------------------------|--------------------------------|
|              | Lead                 | Mercury | Cadmium | Hexavalent Chromium | Polybrominated biphenyls | Polybrominated diphenyl ethers |
|              | (Pb)                 | (Hg)    | (Cd)    | (Cr(VI))            | (PBB)                    | (PBDE)                         |
| Laser module | x                    | •       | •       | •                   | •                        | •                              |

The table is prepared in accordance with the provisions of SJ/T11364.

- : Indicates that said hazardous substance contained in all of the homogeneous materials for this part is below the limit requirement of GB/T 26572.
- x: Indicates that said hazardous substance contained in at least one of the homogeneous materials used for this part is above the limit requirement of GB/T 26572.

## EC Declaration of conformity TKTL 31

We, SKF MPT, Meidoornkade 14, 3992 AE Houten, The Netherlands herewith declare under our sole responsibility that the products described in these instructions for use, are in accordance with the conditions of the following Directive(s):

EMC DIRECTIVE 2014/30/EU

and are in conformity with the following standards:

CE-EMC:

EN 61326-1:2021 EN 61326-2-2:2021

Emission: CISPR 11:2015 + A1:2010 + A2:2019, Class B

Immunity: IEC 61000-4-2:2008

IEC 61000-4-3:2020

IEC 61000-4-8:2009

RED-EMC:

RADIO EQUIPMENT DIRECTIVE 2014/53/EU

EN 301489-1 V2.1.1 :2017-02, EN 301489-17 V3.1.1 :2017-02

RED-RF:

EN 300328 V2.1.1 :2016-11

RED-EMF:

EN 62479 :2010, EN 62311 :2008

RED-LVD:

EUROPEAN LOW VOLTAGE DIRECTIVE 2014/35/EU

EN 60950-1 :2006/A11 :2009/A1 :2010/A12 :2011/A2 :2013

**Laser standards:** 21 CFR, ch 1-J

**WEEE:** European Directive 2012/19/EU

**RoHS:** RoHS DIRECTIVE (EU) 2015/863

**CE requirements:** CE certified

Houten, The Netherlands, February 2025



Guillaume Dubois

Manager Quality and Compliance



## UK Declaration of conformity TKTL 31

We, SKF MPT, Meidoornkade 14, 3992 AE Houten, The Netherlands herewith declare under our sole responsibility that the products described in these instructions for use, are in accordance with the conditions of the following Directive(s):

Electromagnetic Compatibility Regulations 2016 (2016 No. 1091) and are in conformity with the following standards:

CE-EMC:

EN 61326-1:2021 EN 61326-2-2:2021

Emission: CISPR 11:2015 + A1:2010 + A2:2019, Class B

Immunity: IEC 61000-4-2:2008

IEC 61000-4-3:2020

IEC 61000-4-8:2009

RED-EMC:

Radio Equipment Regulations 2017 (2017 No. 1206)

EN 301489-1 V2.1.1 :2017-02, EN 301489-17 V3.1.1 :2017-02

RED-RF:

EN 300328 V2.1.1 :2016-11

RED-EMF:

EN 62479 :2010, EN 62311 :2008

RED-LVD:

Electrical Equipment (Safety) Regulations 2016 (2016 No. 1101)

EN 60950-1 :2006/A11 :2009/A1 :2010/A12 :2011/A2 :2013

**Laser standards:** 21 CFR, ch 1-J

**WEEE:** European Directive 2012/19/EU

**RoHS:** The Restriction of the Use of Certain Hazardous Substances in Electrical and Electronic Equipment Regulations 2012 (2012 No. 3032)

**CE requirements:** CE certified

The person authorised to compile the technical documentation on behalf of the manufacturer is SKF (U.K.) Limited, 2 Canada Close, Banbury, Oxfordshire, OX16 2RT, GBR.

Houten, The Netherlands, February 2025



Guillaume Dubois

Manager Quality and Compliance

**UK  
CA**

## 1. Introduction

The SKF TKTL 31 is a portable, lightweight multi-functional instrument for safely measuring temperatures at a distance. Simply aim and pull the trigger and the temperature is shown on the display. Users can also measure contact temperatures using the probe supplied.

This feature rich instrument also has the facility to store measured values such as Maximum, Minimum, Difference, Average, High Alarm, Low Alarm, Emissivity setting.

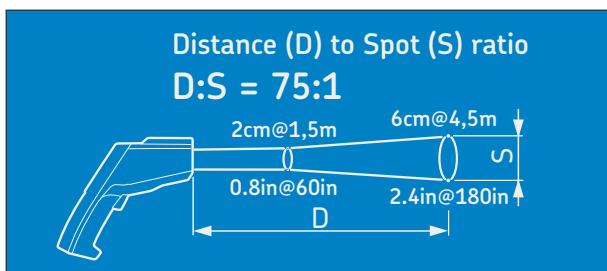
## 2. Quick start

1. Simply aim the thermometer at the measure target with Lens (8) and press Meas. key (6) to display the surface temperature.
2. The Distance:Spot is 75:1.  
The two laser points are the reference for the target spot size. Please make sure the target area is within the field of view.

## 3. Features

- LCD black and white display, backlit
- Dual laser targeting
- Type-K thermocouple probe
- Adjustable emissivity
- High accuracy
- Fast response time
- DS ratio of 75:1

As the distance (D) from the object increases, the spot size (S) of the area measured by TKTL 31 becomes larger. The relationship between distance and each unit is listed below. The spot size indicates 90% measured energy.

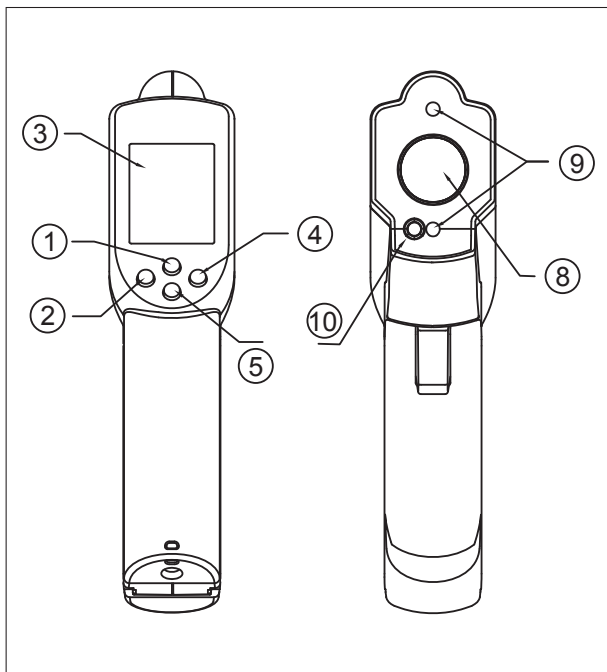


## 4. Technical data

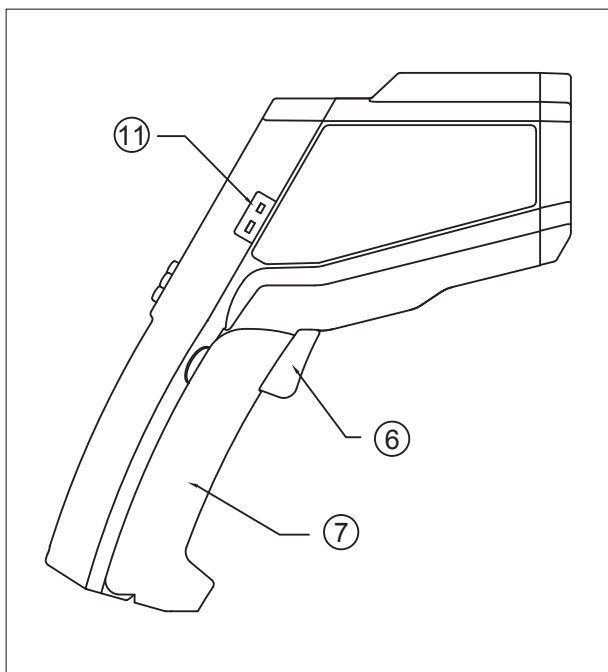
|                                     |  |
|-------------------------------------|--|
| <b>Designation</b>                  | <b>TKTL 31</b>   |
| <b>Temperature range</b>            |  |
| Infrared measurement                | -60 to 1 600 °C (-76 to 2 912 °F)  |
| Using a probe                       | -64 to 1 400 °C (-83.2 to 2 552 °F)  |
| Probe supplied                      | TMDT 2-30, suitable for use up to 900 °C (1 650 °F)                        |
| Probe types suitable                | K type probes  |
|                                     |  |
| <b>Full range accuracy</b>          |  |
| Tamb = 25°C                         | Tobj = 15 to 35 °C, +/- 1.0 °C (1.8 °F)                                    |
| Tamb = 23 +/- 3°C                   | Tobj = 0 to 1 600 °C, +/-2% of reading or 2 °C (4 °F) whichever is greater |
| Tamb = 23 +/- 3°C                   | Tobj = -60 to 0 °C, +/- (2 + 0.05/°) °C                                    |
| Tamb = 23 +/- 6°C                   | With probe: , +/- 1% of reading or 1 °C (1.8 °F) whichever is greater      |
| Response time                       | 1 sec  |
| Optics                              | Sense emitted, reflected and transmitted energy.                           |
| Distance to spot size               | 75:1   |
| Spectral response                   | 8-14 µm  |
| Emissivity variable                 | 0.1-1.0  |
| Laser                               | Class 2  |
| Maximum laser power                 | 1 mW   |
| Laser pointers                      | 2 laser dots   |
| Laser wavelength                    | 635 - 660 nm   |
|                                     |  |
| <b>Display</b>                      |  |
| Display                             | LCD black and white display, backlit                                       |
| Displayed resolution                | 0.1 °C/F from -83.2-999.9, otherwise 1° C/F                                |
|                                     |  |
| <b>Controls</b>                     |  |
| Buttons                             | 4 buttons and 1 trigger.<br>Function as per instructions for use           |
| User selectable backlit display     | yes, On/off  |
| User selectable laser pointers (2x) | yes, On/off  |
| Measurement modes                   | Max, min, average, differential, probe/IR dual temperature                 |
| Alarm modes                         | High and low level alarm level with warning beep                           |
|                                     |  |
| <b>Dimensions</b>                   |  |
| Unit                                | 203 × 197 × 47 mm<br>(8.0 × 7.7 × 1.8 in)                                  |
| TL1 Carrying case dimensions        | 530 × 85 × 180 mm (20.9 × 3.4 × 7.0 in)                                    |
| Weight (including case)             | 1 300 g (2.87 lb)  |
|                                     |  |

|                       |  |
|-----------------------|--|
| <b>Designation</b>    | <b>TKTL 31</b>   |
| <b>Batteries</b>      |  |
| Type                  | 2 × AAA Alkaline type IEC LR03                                     |
| Operating time        | Typ.180, min. 140 hours continuous use without Laser and Backlight |
| Auto switch off       | Automatic after 60 seconds after trigger is released               |
| Probe mode            | Automatic after 12 minutes   |
|                       |  |
| <b>Environment</b>    |  |
| Operating temperature | 0 to 50 °C (32 to 122 °F)<br>10 to 95% R.H.                        |
| Storage temperature   | -10 to 60 °C (14 to 140 °F)<br>10 to 95% R.H.                      |

## 5. Front panel and button description

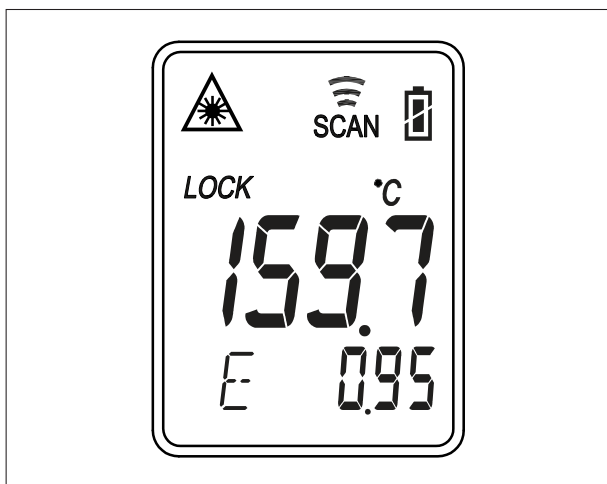


| Item | Description     |
|------|-----------------|
| 1    | Emmissivity key |
| 2    | Down key        |
| 3    | LCD             |
| 4    | Up key          |
| 5    | Mode key        |
| 8    | Infrared lens   |
| 9    | Laser           |
| 10   | LED             |



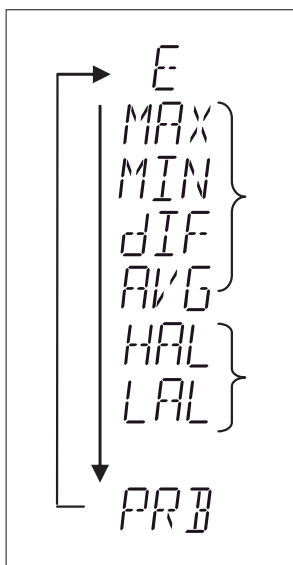
| Item | Description         |
|------|---------------------|
| 6    | Meas. key           |
| 7    | Battery cover       |
| 11   | Thermocouple socket |

## 6. Display overview



Default screen

## 7. Menu overview



- Press Emissivity key (1) for setting the emissivity  
 $\wedge E \vee$
  - Press Emissivity key (1), then press Up key (4) or Down key (2) to set the emissivity, then press Mode key (5) to confirm it. The emissivity can be changed from 0.10 (10E) to 1 (100E).
  - Press Mode key (5) for scrolling more display function as follows. Here will show the emissivity data. (The default emissivity is 0.95.)
- 
- Press Mode key (5) for the Maximum (MAX), Minimum (MIN), Difference between MAX and MIN (DIF) and Average (AVG) modes. During the measurement, the special modes reading will be displayed beside the mode icon.

- Press Up key (4) or Down key (2) to change the High Alarm (HAL) or Lo Alarm (LAL), then press Meas. key (6) to confirm it. When the reading is outside the High Alarm (HAL) or Lo Alarm (LAL) limit. The High or Low icon will flash and you will hear a beep sound.
- Connect the thermocouple with Thermocouple socket (11) and put the probe in/on the target, the thermometer will display the temperature automatically without pressing any button. To see the minimum or maximum data during the probe measurement, please hold down the Up key (4) or Down key (2).

#### **BEWARE:**

- After measuring high temp, the probe may remain HOT for a while.
- \*\* The thermometer will automatically shut off if left idle for more than 60 sec, unless in PRB mode. (In PRB mode, it will shut off if left idle for more than 12 minutes.)

## **8. Measurement settings**

- In MAX, MIN, DIF, AVG mode:  
Press Up key (4) for LOCK mode ON/OFF.  
The lock mode is particularly useful for continuous monitoring of temperatures for up to 60 minutes.
- Press Down key (3) for °C or °F transferred.
- In all modes: First hold on the Meas. key (6) and press Up key (4) for backlight function ON/OFF, and press Down key (2) for laser function ON/OFF.  
(With flash light to be turned on in the same time as laser).

## 9. Maintenance

### 9.1 Storage & cleaning

It should be stored at room temperature. The sensor lens is the most delicate part of the thermometer. The lens should be kept clean at all times, care should be taken when cleaning the lens using only a soft cloth or cotton swab with water or medical alcohol, allowing the lens to fully dry before using the thermometer. Do not submerge any part of the thermometer.

### 9.2 LCD error messages

The thermometer incorporates visual diagnostic messages as follows: 'Hi' or 'Low' is displayed when the temperature being measured is outside of the settings of HAL and LAL.

'Er2' is displayed when the thermometer is exposed to rapid changes in the ambient temperature.

'Er3' is displayed when the ambient temperature exceeds 0 °C (32 °F) or +50 °C (122 °F). The thermometer should be allowed plenty of time (minimum 30 minutes) to stabilize to the working/room temperature.

Error 5-9, for all other error messages it is necessary to reset the thermometer. To reset it, turn the instrument off, remove the battery and wait for a minimum of one minute, reinsert the battery and turn on. If the error message remains, please contact SKF for further assistance.

'Hi' or 'Lo' is displayed when the temperature being measured is outside of the measurement range.

### 9.3 Batteries

The thermometer incorporates visual low battery indication as follows:

- 'Battery OK': measurements are possible.
- 'Battery Low': battery needs to be replaced, measurements are still possible.
- 'Battery Exhausted': measurements are not possible.

When the 'Low Battery' icon indicates the battery is low, the battery should be replaced immediately with AAA, 1.5V batteries.

**Please note:** It is important to turn the instrument off before replacing the battery otherwise the thermometer may malfunction. Dispose of used battery promptly and keep away from children. If the device is not to be used for a long time, turn the power off, remove and store the batteries in a cool, dry place.

#### NOTE:

- Under the electromagnetic field of 3V/m from 90 to 360 MHz and 1 to 6 GHz, the maximum error is 10 °C (18 °F).

## 10. Notes

### How does Infrared work?

Infrared thermometers measure the surface temperature of an object. The unit's optics sense emitted, reflected, and transmitted energy, which is collected and focused onto a detector.

The unit's electronics translate the information into a temperature reading, which is displayed on the unit.

The laser is used for aiming purpose only.

- **Field of View**

Make sure the target is larger than the unit's spot size.

The smaller the target, the closer you should be.

When accuracy is critical, make sure the target is at least twice as large as the spot size.

- **Distance & Spot Size**

As the distance (D) from the object increases, the spot size (S) of the area measured by the unit becomes larger.

See figure at the beginning of this manual.

- **Locating a hot Spot**

To find a hot spot aim the thermometer outside the area of interest, then scan across with an up and down motion until you locate hot spot.

- **Reminders**

- Do not use the unit to measure shiny or polished metal surfaces (stainless steel, aluminum, etc.). See Emissivity.
- The unit can not measure through transparent surfaces such as glass. It will measure the surface temperature of the glass instead.
- Steam, dust, smoke, etc., can prevent accurate measurement by obstructing the unit's optics.

- **Emissivity**

Emissivity is a term used to describe the energy-emitting characteristics of materials.

Most (90% of typical applications) organic materials and painted or oxidized surfaces have an emissivity of 0.95 (pre-set in the unit).

Inaccurate readings will result from measuring shiny or polished metal surfaces. To compensate, cover the surface to be measured with masking tape or black paint. Allow time for the tape to reach the same temperature as the material underneath it.

Measure the temperature of the tape or painted surface.

## 11. Emissivity table

| Substance | Thermal emissivity | Substance         | Thermal emissivity |
|-----------|--------------------|-------------------|--------------------|
| Asphalt   | 0,90 to 0,98       | Cloth (black)     | 0,98               |
| Concrete  | 0,94               | Human skin        | 0,98               |
| Cement    | 0,96               | Leather           | 0,75 to 0,80       |
| Sand      | 0,90               | Charcoal (powder) | 0,96               |
| Earth     | 0,92 to 0,96       | Lacquer           | 0,80 to 0,95       |
| Water     | 0,92 to 0,96       | Lacquer (matt)    | 0,97               |
| Ice       | 0,96 to 0,98       | Rubber (black)    | 0,94               |
| Snow      | 0,83               | Plastic           | 0,85 to 0,95       |
| Glass     | 0,90 to 0,95       | Timber            | 0,90               |
| Ceramic   | 0,90 to 0,94       | Paper             | 0,70 to 0,94       |
| Marble    | 0,94               | Chromium oxides   | 0,81               |
| Plaster   | 0,80 to 0,90       | Copper oxides     | 0,78               |
| Mortar    | 0,89 to 0,91       | Iron oxides       | 0,78 to 0,82       |
| Brick     | 0,93 to 0,96       | Textiles          | 0,90               |

## 12. Spare parts

| Designation | Description                            |
|-------------|--|
| TMDT 2-30   | Contact probe                          |
| TDTC 1/X    | General toolcase without inlay, size X |



# Inhalt

|                                    |    |
|------------------------------------|----|
| Sicherheitshinweise .....          | 17 |
| CE Konformitätserklärung .....     | 18 |
| 1. Einleitung .....                | 19 |
| 2. Kurzanleitung .....             | 19 |
| 3. Merkmale .....                  | 19 |
| 4. Technische Daten .....          | 20 |
| 5. Bedien- und Messelemente .....  | 22 |
| 6. Display .....                   | 24 |
| 7. Menü .....                      | 25 |
| 8. Messeinstellungen .....         | 26 |
| 9. Instandhaltung .....            | 27 |
| 9.1 Aufbewahrung & Reinigung ..... | 27 |
| 9.2 LCD-Fehlermeldungen .....      | 27 |
| 9.3 Batterien .....                | 27 |
| 10. Hinweise .....                 | 28 |
| 11. Emissivitätstabelle .....      | 29 |
| 12. Ersatzteile .....              | 29 |



## Sicherheitshinweise

- Lesen und befolgen Sie die Bedienanleitung.
- Nie direkt in die Laserquelle sehen. Laserprodukt der Klasse II.
- Laserstrahl nie direkt auf die Augen von Personen richten.
- Gerät nicht öffnen oder auseinandernehmen.
- Gerät nicht bei Regen oder starker Feuchtigkeit betreiben.
- Nicht für eigensichere Bereiche geeignet.
- Reparaturarbeiten sind von einem SKF Reparatur Service Center durchzuführen.
- Gefahrstoffe und Konzentrationen für TKTL 31:

| Teil        | Gefahrstoff |             |         |                     |                         |                              |
|-------------|-------------|-------------|---------|---------------------|-------------------------|------------------------------|
|             | Blei        | Quecksilber | Cadmium | Sechswertiges Chrom | Polybromierte Biphenyle | Polybromierte Diphenyl-ether |
|             | (Pb)        | (Hg)        | (Cd)    | (Cr(VI))            | (PBB)                   | (PBDE)                       |
| Laser-modul | ×           | •           | •       | •                   | •                       | •                            |

Die Tabelle wurde gemäß SJ/T11364 zusammengestellt.

- Der in allen homogenen Materialien dieses Teils enthaltene Gefahrstoff liegt unter dem Grenzwert gemäß GB/T 26572.
- × Der zumindest in allen homogenen Materialien dieses Teils enthaltene Gefahrstoff liegt über dem Grenzwert gemäß GB/T 26572.

## CE Konformitätserklärung TKTL 31

Die SKF MPT, Meidoornkade 14, 3992 AE Houten, Niederlande erklärt hiermit unter unserer alleinigen Verantwortung, dass die in dieser Gebrauchsanweisung beschriebenen Produkte den folgenden Richtlinien und Normen entsprechen:

EMV-RICHTLINIE 2014/30/EU

außerdem stimmen sie mit den folgenden Normen überein:

CE-EMC:

EN 61326-1:2021 EN 61326-2-2:2021

Emissionen: CISPR 11:2015 + A1:2010 + A2:2019, Klasse B

Störfestigkeit: IEC 61000-4-2:2008

IEC 61000-4-3:2020

IEC 61000-4-8:2009

RED-EMC:

RICHTLINIE FÜR FUNK- & TELEKOMMUNIKATIONSENDGERÄTE  
2014/53/EU

EN 301489-1 V2.1.1:2017-02, EN 301489-17 V3.1.1:2017-02

RED-RF:

EN 300328 V2.1.1:2016-11

RED-EMF:

EN 62479:2010, EN 62311:2008

RED-LVD:

EUROPÄISCHE NIEDERSPANNUNGSRICHTLINIE 2014/35/EU

EN 60950-1 :2006/A11 :2009/A1 :2010/A12 :2011/A2 :2013

**Lasernormen:** 21 CFR, Kap. 1-J

**WEEE:** Europäische Richtlinie 2012/19/EU

**RoHS:** RoHS-RICHTLINIE (EU) 2015/863

**CE-Anforderungen:** CE-zertifiziert

Houten, in den Niederlanden, Februar 2025



Guillaume Dubois

Manager Quality and Compliance



## 1. Einleitung

SKF TKTL 31 ist ein tragbares, multifunktionales Messgerät für sichere Temperaturmessungen aus der Entfernung. Einfach zielen und den Auslöser betätigen – schon erscheint die Temperatur auf dem Display. Der Benutzer kann die Kontakttemperaturen auch mit dem mitgelieferten Thermofühler messen.

Das Gerät kann eine Reihe von Messwerten und Einstellungen speichern (Max, Min, Differenz, Durchschnitt, Hochalarm, Niedrigalarm, Emissionsgradeinstellung).

## 2. Kurzanleitung

1. Linse (8) des Geräts auf das Messfeld richten und Messtaste (6) drücken. Das Gerät zeigt nun die Oberflächentemperatur an.
2. Das Verhältnis Messentfernung/Messfleck beträgt 75:1. Die beiden Laserpunkte markieren den Messfleck. Der Messfleck muss genau im Sichtfeld liegen.

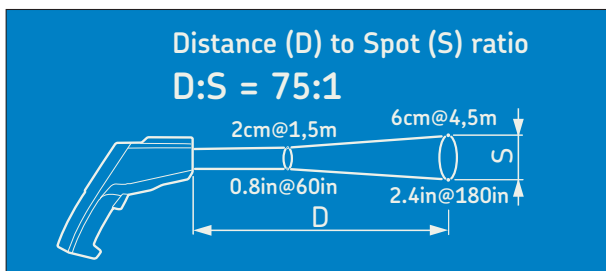
## 3. Merkmale

- SW-Display, Hintergrundbeleuchtung
- Zwei Laserorientierungspunkte
- Thermofühler Typ-K
- Emissionsgrad einstellbar
- Hohe Genauigkeit
- Schnelle Messzeit
- Verhältnis Messentfernung/Messfleck 75:1

Mit zunehmendem Abstand (D) vom Objekt vergrößert sich der Messfleck (S).

Die Messentfernungen und Fleckgrößen sind nachstehend in Meter und Zoll angegeben.

Die Fleckgröße repräsentiert 90% der gemessenen Energie.

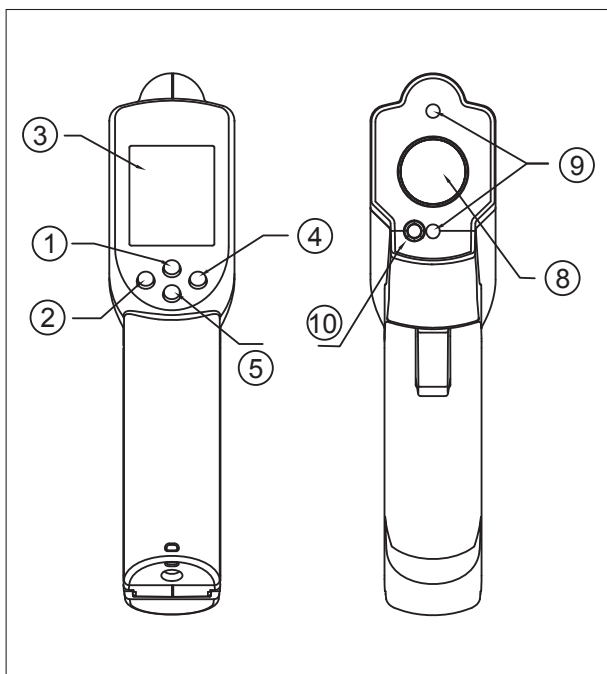


## 4. Technische Daten

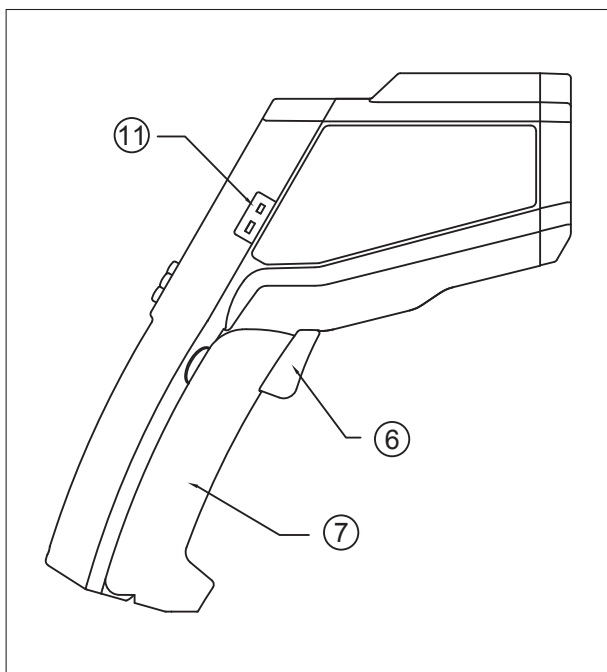
|   |  |
|---|--|
| <b>Kurzzeichen</b>                        | <b>TKTL 31</b>   |
| <b>Temperaturbereich</b>                  |  |
| Infrarotmessung                           | -60 bis 1 600 °C   |
| Kontaktmessung                            | -64 bis 1 400 °C   |
| Mitgelieferter Fühler                     | TMDT 2-30, geeignet für max. 900 °C                                  |
| Geeignete Messfühler                      | Typ K  |
| <b>Messgenauigkeit (gesamter Bereich)</b> |  |
| Tamb = 25 °C                              | Tobj = 15 bis 35 °C, +/- 1.0 °C                                      |
| Tamb = 23 +/- 3 °C                        | Tobj = 0 bis 1 600 °C, +/-2% des Messwerts, mindestens jedoch 2 °C   |
| Tamb = 23 +/- 3 °C                        | Tobj = -60 bis 0 °C, +/- (2 + 0.05/°) °C                             |
| Tamb = 23 +/- 6 °C                        | Mit Fühler: +/- 1% des Messwerts, mindestens jedoch 1 °C             |
| Reaktionszeit                             | 1 s  |
| Optik                                     | Messung der emittierten, reflektierten und übertragenen Energie      |
| Verhältnis Messentfernung/<br>Messfleck   | 75:1   |
| Spektralempfindlichkeit                   | 8–14 µm  |
| Emissionsgrad einstellbar                 | 0.1 – 1.0  |
| Laser                                     | Klasse 2   |
| Max. Laserleistung                        | 1 mW   |
| Laserpointer                              | 2 Laserpunkte  |
| Wellenlänge Laser                         | 635 – 660 nm   |
| <b>Display</b>                            |  |
| Display                                   | SW-LCD, Hintergrundbeleuchtung                                       |
| Anzeigenauflösung                         | 0.1 °C/F von -83.2-999.9, sonst 1 °C/F                               |
| <b>Bedienelemente</b>                     |  |
| Tasten                                    | 4 Tasten und 1 Auslöser.<br>Funktion vgl. Bedienhinweise.            |
| Hintergrundbeleuchtung<br>einschaltbar    | Ja, Ein/Aus  |
| Laserpointer (2) einschaltbar             | Ja, Ein/Aus  |
| Messmodi                                  | Max, Min, Durchschnitt, Differenz,<br>Kontaktmessung, IR-Fernmessung |
| Alarmer                                   | Hoch und Niedrig, Warnton  |
| <b>Abmessungen</b>                        |  |
| Einheit                                   | 203 × 197 × 47 mm  |
| Maße Transportkoffer TL1                  | 530 × 85 × 180 mm  |
| Gewicht (mit Koffer)                      | 1 300 g  |

|                          |  |
|--------------------------|--|
| <b>Kurzzeichen</b>       | <b>TKTL 31</b>   |
| <b>Batterien</b>         |  |
| Typ                      | 2 × AAA, Alkali, IEC LR03  |
| Betriebszeit             | Typisch 180 Stunden, min. 140 Stunden Dauerbetrieb ohne Laser und Hintergrundbeleuchtung |
| Automatische Abschaltung | Fernmessung: Automatisch 60 s nach Loslassen des Auslösers.                              |
| Kontaktmessung:          | Automatisch nach 12 Minuten.   |
|                          |  |
| <b>Umgebung</b>          |  |
| Betriebstemperatur       | 0 bis 50 °C<br>10 bis 95% rel. Luftfeuchte   |
| Lagertemperatur          | -10 bis 60 °C<br>10 bis 95% rel. Luftfeuchte   |

## 5. Bedien- und Messelemente

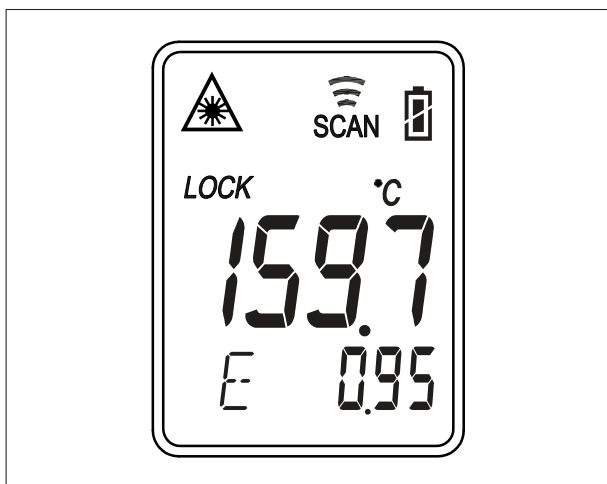


| Element | Beschreibung            |
|---------|-------------------------|
| 1       | Taste für Emissionsgrad |
| 2       | Nach-Unten-Taste        |
| 3       | LCD                     |
| 4       | Nach-Oben-Taste         |
| 5       | Betriebsart             |
| 8       | Infrarotlinse           |
| 9       | Laser                   |
| 10      | LED                     |



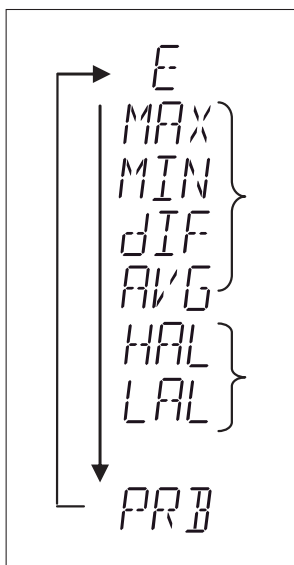
| Element | Beschreibung            |
|---------|-------------------------|
| 6       | Messung                 |
| 7       | Batteriefach            |
| 11      | Buchse für Thermofühler |

## 6. Display



Standardanzeige

## 7. Menü



- Der Emissionsgrad wird mit Taste (1) eingestellt.  
 $\wedge E \vee$
  - Die Emissionsgrad-Taste (1) drücken und dann mit der Nach-Oben-Taste (4) oder der Nach-Unten-Taste (2) den Emissionsgrad (E) auswählen und die Auswahl mit der Modus-Taste (5) bestätigen. Für den Emissionsgrad kann ein Wert zwischen 0,10 (10E) und 1 (100E) eingestellt werden.
  - Über die Modus-Taste (5) werden die verfügbaren Betriebsarten aufgerufen: Das Beispiel zeigt die Einstellung für den Emissionsgrad. (Die Voreinstellung ist 0,95.)
- 
- Die Modus-Taste (5) schaltet zwischen den Betriebsarten Maximal (MAX), Minimal (MIN), Differenz zwischen MAX und MIN (DIF) und Durchschnitt (AVG) um. Der aktive Messmodus wird während der Messung angezeigt.
  - Mit der Nach-Oben-Taste (4) bzw. der Nach-Unten-Taste (2) den gewünschten Alarm auswählen (Obergrenze = HAL, Untergrenze = LAL). Anschließend die Auswahl mit der Messtaste (6) bestätigen. Wenn der Messwert die ausgewählte Alarmgrenze überschreitet (HAL) oder unterschreitet (LAL), blinkt ein Alarmhinweis und ein Warnsignal ertönt.
  - Wenn der Thermofühler an die Buchse (11) angeschlossen wurde und die Fühlerspitze den Messfleck berührt, zeigt das Gerät automatisch die Temperatur an (d.h. der Auslöser muss nicht betätigt werden). Um die während der Messung ermittelte Höchst- bzw. Tiefsttemperatur anzuzeigen, die Nach-Oben-Taste (4) oder die Nach-Unten-Taste (2) gedrückt halten.

### ACHTUNG

- Nach der Kontaktmessung sehr hoher Temperaturen bleibt der Fühler für eine gewisse Zeit sehr HEISS.
- \*\* Das Thermometer schaltet sich nach 60 s Inaktivität automatisch ab (Ausnahme: PRB-Modus). Im PRB-Modus erfolgt die automatische Abschaltung erst nach 12 Minuten.

## 8. Messeinstellungen

- In den Modi MAX, MIN, DIF, AVG:  
Mit der Nach-Oben-Taste (4) kann die gewählte Betriebsart gesperrt werden (ON = Betriebsart kann nicht geändert werden; OFF = Betriebsart kann geändert werden).  
Diese Sperre ist nützlich für eine kontinuierliche Temperaturüberwachung von max. 60 Minuten Dauer.
- Anzeigewechsel zwischen °C und °F mit der Betriebsart-Taste (3).
- Alle Modi: Messtaste (6) gedrückt halten, dann entweder Nach-Oben-Taste (4) drücken (Hintergrundbeleuchtung ein/aus) oder Nach-Unten-Taste (2) drücken (Laser ein/aus).  
(Beleuchtung wird zeitgleich mit Laser eingeschaltet.)

## 9. Instandhaltung

### 9.1 Aufbewahrung & Reinigung

Gerät bei Zimmertemperatur lagern. Die Sensorlinse ist der empfindlichste Teil des Geräts. Sie muss immer sauber sein und darf nur mit einem weichen Tuch oder Wattestäbchen gereinigt werden, das in Wasser oder medizinischen Alkohol getränkt wurde. Vor der Messung muss die Linse vollständig getrocknet sein. Gerät nicht in Flüssigkeit tauchen!

### 9.2 LCD-Fehlermeldungen

Das Display kann folgende Diagnosen und Fehler anzeigen:  
Hi bzw. Low: Die gemessene Temperatur liegt außerhalb der Alarmgrenzen (HAL bzw. LAL).

Err2: Das Gerät wurde einer zu schnellen Änderung der Umgebungstemperatur ausgesetzt.

Err3: Die zulässige Umgebungstemperatur wurde über- oder unterschritten (0 °C bis +50 °C). Nach einem Umgebungswechsel benötigt das Gerät mindestens 30 Minuten, um sich an die neue Umgebungstemperatur anzupassen.

Err 5 bis Err 9: Nach diesen Fehlermeldungen muss das Gerät zurückgesetzt werden. Zum Zurücksetzen die Batterie herausnehmen, mindestens eine Minute warten, die Batterie wieder einsetzen und Gerät einschalten. Sollte die Fehlermeldung weiterhin angezeigt werden, wenden Sie sich bitte an SKF.

Hi bzw. Lo: Die gemessene Temperatur liegt außerhalb des Messbereichs.

### 9.3 Batterien

Der Batteriestand wird mit folgenden Symbolen angezeigt:

- Batteriestand OK: Messungen sind möglich.
- Batteriestand niedrig: Batterie muss ersetzt werden, Messungen sind noch möglich.
- Batterie leer: Messungen sind nicht mehr möglich.

Wenn das Symbol für niedrigen Batteriestand erscheint, sollte die Batterie sofort ersetzt werden (AAA, 1,5 V).

**Hinweis:** Vor dem Ersetzen der Batterien muss das Gerät ausgeschaltet werden, da die Messungen sonst verfälscht werden könnten. Leere Batterien ordnungsgemäß entsorgen und von Kindern fernhalten.

Bei längerer Nichtverwendung das Gerät ausschalten und Batterien herausnehmen. Batterien an einem kühlen, trockenen Ort aufbewahren.

#### HINWEIS:

- Bei einem elektromagnetischen Feld von 3 V/m im Bereich von 90 bis 360 MHz und 1 bis 6 GHz, beträgt der maximale Fehler 10 °C.

## 10. Hinweise

### Funktionsweise

Infrarotthermometer messen berührungslos die Oberflächentemperatur eines Objekts. Sie messen die vom Objekt reflektierte Wärmestrahlung (Infrarotstrahlung).

Die Messung wird ausgewertet und als Oberflächentemperatur des Objekts angezeigt.

Der Laser dient lediglich zur Lokalisierung des Messflecks.

- **Sichtfeld**

Das Messobjekt muss größer als der Messfleck sein.

Je kleiner das Objekt, desto kürzer muss der Messweg sein.

Bei hohen Genauigkeitsanforderungen sollte das Objekt mindestens doppelt so groß wie der Fleck sein.

- **Abstand & Fleckgröße**

Mit zunehmendem Abstand ( $D$ ) vom Objekt vergrößert sich der Messfleck ( $S$ ) (vgl. das Bild weiter vorn in dieser Anleitung).

- **Hotspot lokalisieren**

Zur Lokalisierung von Hotspots zuerst mit dem Gerät neben das Messfeld zeigen und dann das Gerät in einer Bewegung über das Feld führen, bis der Hotspot erfasst wird.

- **Hinweise**

- Das kontaktlose Messverfahren ist nicht für Temperaturmessungen auf glänzenden oder polierten Metallflächen geeignet (nichtrostender Stahl, Aluminium usw.). Vgl. die Erläuterungen unter „Emissionsgrad“.
- Das Gerät kann nicht durch transparente Oberflächen (z.B. Glas) hindurch messen. Stattdessen würde es die Oberflächentemperatur des Glases messen.
- Dampf, Verunreinigungen, Rauch usw. können die Messungen verfälschen.

- **Emissionsgrad**

Der Emissionsgrad gibt die Wärmeabstrahlungsfähigkeit eines Objekts an. Die meisten organischen Materialien sowie lackierten oder oxidierten Oberflächen (90% aller typischen Anwendungsfälle) haben einen Emissionsgrad von 0,95. Dieser Emissionsgrad ist im Gerät voreingestellt.

Kontaktlose Temperaturmessungen auf glänzenden oder polierten Metallflächen sind unzuverlässig. Das kann durch Abkleben des Messobjekts mit Abdeckband oder durch schwarze Farbe kompensiert werden. Vor der Messung warten, bis das Band die Objekttemperatur angenommen hat. Anschließend die Messung für das Band bzw. die Farbschicht durchführen.

## 11. Emissivitätstabelle

| Substanz  | Thermische Emissivität | Substanz                       | Thermische Emissivität |
|-----------|------------------------|--------------------------------|------------------------|
| Asphalt   | 0.90 bis 0.98          | Stoff (schwarz)                | 0.98                   |
| Beton     | 0.94                   | Menschliche Haut               | 0.98                   |
| Zement    | 0.96                   | Leder                          | 0.75 bis 0.80          |
| Sand      | 0.90                   | Anthrazit (Pulverbeschichtung) | 0.96                   |
| Erde      | 0.92 bis 0.96          | Lack                           | 0.80 bis 0.95          |
| Wasser    | 0.92 bis 0.96          | Lack (matt)                    | 0.97                   |
| Eis       | 0.96 bis 0.98          | Gummi (schwarz)                | 0.94                   |
| Schnee    | 0.83                   | Plastik                        | 0.85 bis 0.95          |
| Glas      | 0.90 bis 0.95          | Bauholz                        | 0.90                   |
| Keramik   | 0.90 bis 0.94          | Papier                         | 0.70 bis 0.94          |
| Marmor    | 0.94                   | Chromoxide                     | 0.81                   |
| Gips      | 0.80 bis 0.90          | Kupferoxide                    | 0.78                   |
| Mörtel    | 0.89 bis 0.91          | Eisenoxide                     | 0.78 bis 0.82          |
| Mauerwerk | 0.93 bis 0.96          | Textilien                      | 0.90                   |

## 12. Ersatzteile

| Bezeichnung | Beschreibung                        |
|-------------|-------------------------------------|
| TMDT 2-30   | Temperaturfühler                    |
| TDTC 1/X    | Transportkoffer ohne Inlay, Größe X |



# Índice

|   |    |
|---|----|
| Recomendaciones de seguridad .....              | 31 |
| Declaración de conformidad CE .....             | 32 |
| 1. Introducción.....                            | 33 |
| 2. Inicio rápido.....                           | 33 |
| 3. Características .....                        | 33 |
| 4. Datos técnicos.....                          | 34 |
| 5. Descripción de panel frontal y botones ..... | 36 |
| 6. Descripción de la pantalla .....             | 38 |
| 7. Descripción del menú.....                    | 39 |
| 8. Configuración de mediciones .....            | 40 |
| 9. Mantenimiento.....                           | 41 |
| 9.1 Almacenamiento y limpieza .....             | 41 |
| 9.2 Mensajes de error en la pantalla LCD .....  | 41 |
| 9.3 Baterías .....                              | 41 |
| 10. Notas .....                                 | 42 |
| 11. Tabla de emisividad .....                   | 43 |
| 12. Piezas de repuesto .....                    | 43 |



## Recomendaciones de seguridad

- Lea y siga siempre las instrucciones de uso del instrumento.
- Nunca mire directamente hacia el interior del láser. Producto láser de clase II.
- Nunca apunte el rayo láser a los ojos de una persona.
- Nunca abra el instrumento.
- Nunca use el instrumento bajo la lluvia o en condiciones muy húmedas.
- No apto para área intrínsecamente segura.
- Todas las reparaciones deben realizarse en un taller de reparaciones SKF.
- A continuación aparece la tabla con el nombre y la concentración de sustancias peligrosas para el TKTL 31:

| Nombre de la pieza | Sustancias peligrosas |          |        |                   |                        |                                  |
|--------------------|-----------------------|----------|--------|-------------------|------------------------|----------------------------------|
|                    | Plomo                 | Mercurio | Cadmio | Cromo hexavalente | Bifenilos polibromados | Éteres de difenilos polibromados |
|                    | (Pb)                  | (Hg)     | (Cd)   | (Cr(VI))          | (PBB)                  | (PBDE)                           |
| Módulo láser       | x                     | •        | •      | •                 | •                      | •                                |

La tabla ha sido elaborada según las disposiciones de SJ/T11364.

- : Indica que dichas sustancias peligrosas contenidas en todos los materiales homogéneos de esta pieza están por debajo del requerimiento límite de GB/T 26572.
- x: Indica que dichas sustancias peligrosas contenidas al menos en uno de los materiales homogéneos usados para esta pieza están por debajo del requerimiento límite de GB/T 26572.

## Declaración de conformidad CE TKTL 31

SKF MPT, Meidoornkade 14, 3992 AE Houten, Países Bajos, declara bajo su exclusiva responsabilidad que los productos descritos en estas instrucciones de uso observan lo dispuesto en las condiciones establecidas en la(s) siguiente(s) Directiva(s):

DIRECTIVA DE COMPATIBILIDAD ELECTROMAGNÉTICA (EMC)  
2014/30/UE y cumplen con las siguientes normas:

CE-EMC:

EN 61326-1:2021 EN 61326-2-2:2021

Emisión: CISPR 11:2015 + A1:2010 + A2:2019, clase B

Inmunidad: IEC 61000-4-2:2008

IEC 61000-4-3:2020

IEC 61000-4-8:2009

RED-EMC:

DIRECTIVA DE EQUIPOS RADIOELÉCTRICOS 2014/53/UE

EN 301489-1 V2.1.1 :2017-02, EN 301489-17 V3.1.1 :2017-02

RED-RF:

EN 300328 V2.1.1 :2016-11

RED-EMF:

EN 62479 :2010, EN 62311 :2008

RED-LVD:

DIRECTIVA EUROPEA SOBRE BAJO VOLTAJE 2014/35/UE

EN 60950-1 :2006/A11 :2009/A1 :2010/A12 :2011/A2 :2013

**Normativas para el láser:** Título 21 del CFR, cap. 1-J

**WEEE (Residuos de Aparatos Eléctricos y Electrónicos):**

Directiva europea 2012/19/UE

**RoHS (Restricción de ciertas sustancias peligrosas):**

DIRECTIVA EUROPEA RoHS (sobre restricciones en la utilización de determinadas sustancias peligrosas) (UE) 2015/863

**Requisitos de CE:** Certificación CE

Houten, Países Bajos, Febrero 2025



Guillaume Dubois

Jefe de calidad y cumplimiento



## 1. Introducción

El SKF TKTL 31 es un instrumento portátil, liviano y multifuncional para medir de manera segura las temperaturas a distancia. Simplemente, apunte y jale el pulsador, y se mostrará la temperatura en la pantalla. Los usuarios también pueden medir temperaturas de contacto con la sonda suministrada.

Este instrumento con múltiples funciones también permite almacenar valores medidos, tales como Máximo, Mínimo, Diferencia, Media, Alarma alta, Alarma baja, Configuración de emisividad.

## 2. Inicio rápido

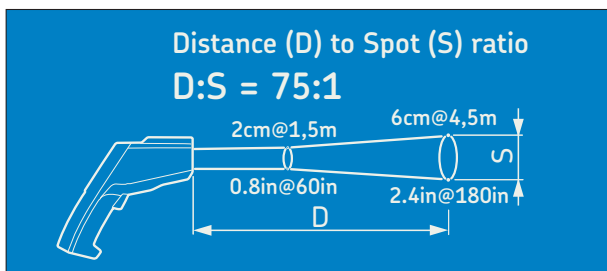
1. Simplemente apunte el termómetro al objetivo que se medirá con la Lente (8) y pulse la tecla Medir (6) para ver la temperatura de la superficie.
2. La relación de distancia al punto (DS) es 75:1.  
Los dos puntos láser son la referencia para el tamaño del punto del objetivo. Asegúrese de que el área del objetivo esté dentro del campo de visión.

## 3. Características

- Pantalla LCD blanco y negro, retroiluminada
- Dos puntos láser
- Sonda de termopar de tipo K
- Emisividad ajustable
- Alta precisión
- Tiempo de respuesta rápido
- Relación DS de 75:1

A mayor distancia (D) hasta el objeto, el tamaño del punto (S) del área medida por el TKTL 31 se hace más grande.

La relación entre distancia y cada unidad se indica a continuación. El tamaño del punto indica 90% de la energía medida.

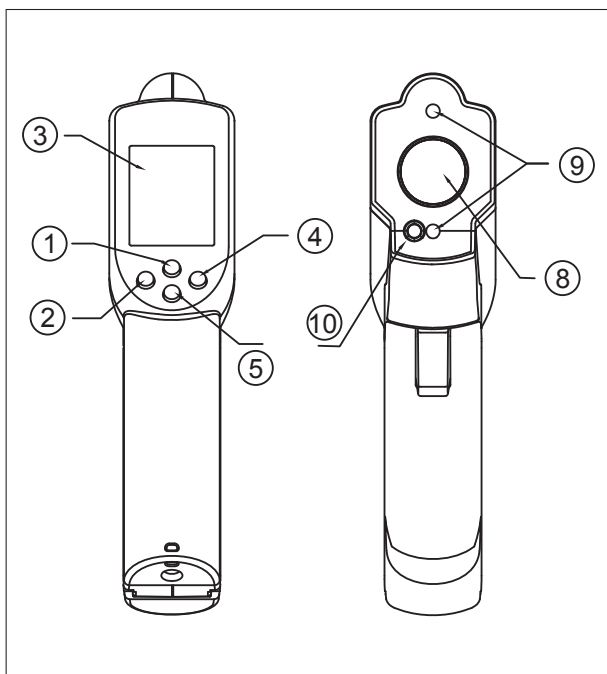


## 4. Datos técnicos

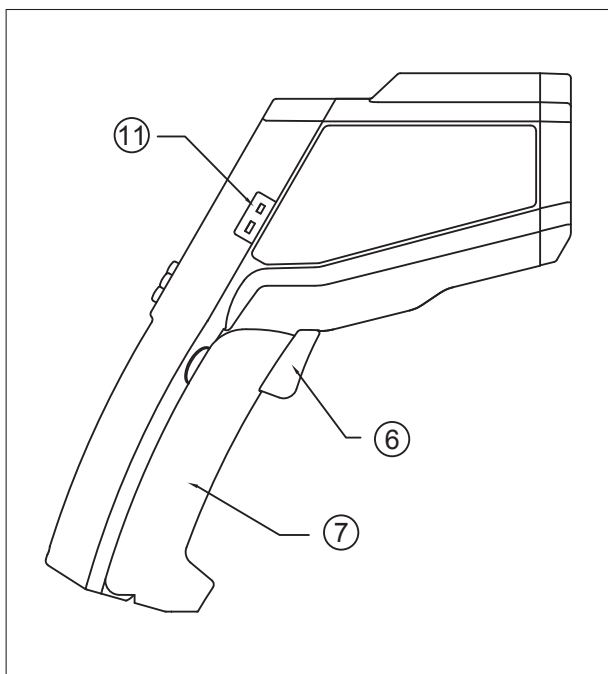
|   |  |
|---|--|
| <b>Designación</b>  | <b>TKTL 31</b>   |
| <b>Rango de temperaturas</b>                              |  |
| Medición por infrarrojos                                  | De -60 a 1 600 °C (de -76 a 2 912 °F)  |
| Utilizando una sonda                                      | De -64 a 1 400 °C (de -83.2 a 2 552 °F)  |
| Sonda provista  | TMDT 2-30, apta para uso hasta 900 °C (1 650 °F)                               |
| Tipos de sondas adecuadas                                 | Sondas de tipo K   |
|   |  |
| <b>Precisión de rango completo</b>                        |  |
| Tamb = 25°C   | Tobj = De 15 a 35 °C, +/- 1.0 °C (1.8 °F)                                      |
| Tamb = 23 +/- 3 °C  | Tobj = De 0 a 1 600 °C, +/-2% de la lectura o 2 °C (4 °F), lo que sea superior |
| Tamb = 23 +/- 3 °C  | Tobj = De -60 a 0 °C, +/- (2 + 0.05/°) °C                                      |
| Tamb = 23 +/- 6°C   | Con sonda: , +/- 1% de la lectura o 1 °C (1.8 °F), lo que sea superior         |
| Tiempo de respuesta                                       | 1 s  |
| Componentes ópticos                                       | Detectan energía emitida, reflejada y transmitida.                             |
| Relación de distancia al punto                            | 75:1   |
| Respuesta espectral                                       | 8-14 μm  |
| Variable de emisividad                                    | 0.1-1.0  |
| Láser   | Clase 2  |
| Potencia máxima del láser                                 | 1 mW   |
| Punteros láser  | Dos puntos láser   |
| Longitud de onda láser                                    | 635 - 660 nm   |
|   |  |
| <b>Pantalla</b>   |  |
| Pantalla  | Pantalla LCD blanco y negro, retroiluminada                                    |
| Resolución de la pantalla                                 | 0.1 °C/F desde -83.2-999.9; de otro modo, 1 °C/F                               |
|   |  |
| <b>Controles</b>  |  |
| Botones   | 4 botones y 1 pulsador<br>Funcionan según instrucciones de uso                 |
| Pantalla con retroiluminación seleccionada por el usuario | Sí, On/off   |
| Punteros láser seleccionados por el usuario (2)           | Sí, On/off   |
| Modos de medición   | Máx., mín., media, diferencial, temperatura doble con sonda/IR                 |
| Modos de alarma   | Niveles de alarma alto y bajo con sonido de advertencia                        |
|   |  |
| <b>Dimensiones</b>  |  |
| Unidad  | 203 × 197 × 47 mm<br>(8.0 × 7.7 × 1.8 pulg.)                                   |
| Dimensiones del maletín de transporte TL1                 | 530 × 85 × 180 mm<br>(20.9 × 3.4 × 7.0 pulg.)                                  |
| Peso (incluido el maletín)                                | 1 300 g (2.87 lb)  |

|                               |  |
|-------------------------------|--|
| <b>Designación</b>            | <b>TKTL 31</b>   |
| <b>Baterías</b>               |  |
| Tipo                          | 2 baterías AAA alcalinas tipo IEC LR03                                     |
| Tiempo de funcionamiento      | Típico 180, mínimo 140 horas de uso continuo sin láser ni retroiluminación |
| Apagado automático            | Automático tras 60 segundos después de liberar el pulsador                 |
| Modo sonda                    | Automático al cabo de 12 min   |
|                               |  |
| <b>Entorno</b>                |  |
| Temperatura de funcionamiento | De 0 a 50 °C ( <i>de 32 a 122 °F</i> )<br>De 10 a 95% H. R.                |
| Temperatura de almacenamiento | De -10 a 60 °C ( <i>de 14 a 140 °F</i> )<br>De 10 a 95% H. R.              |

## 5. Descripción de panel frontal y botones

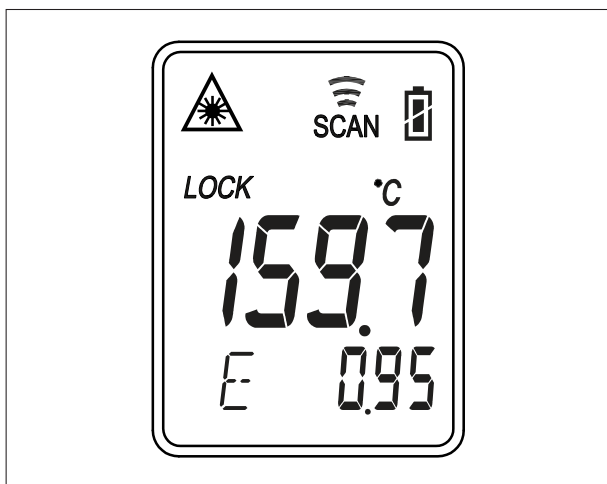


| Artículo | Descripción      |
|----------|------------------|
| 1        | Tecla Emisividad |
| 2        | Tecla Abajo      |
| 3        | LCD              |
| 4        | Tecla Arriba     |
| 5        | Tecla Modo       |
| 8        | Lente infrarroja |
| 9        | Láser            |
| 10       | LED              |



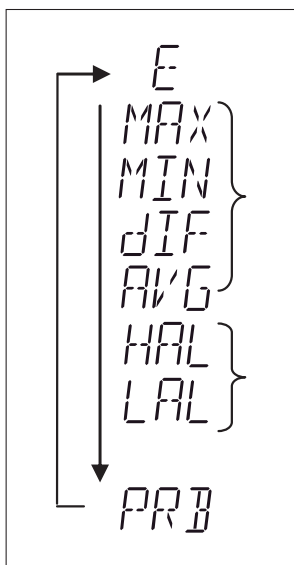
| Artículo | Descripción      |
|----------|------------------|
| 6        | Tecla Medir      |
| 7        | Tapa de batería  |
| 11       | Enchufe termopar |

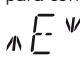
## 6. Descripción de la pantalla



*Pantalla predeterminada*

## 7. Descripción del menú



- Pulse la tecla Emisividad (1) para configurar la emisividad.  

- Pulse la tecla Emisividad (1), luego pulse la tecla Arriba (4) o la tecla Abajo (2) para configurar la emisividad; luego pulse la tecla Modo (5) para confirmar. La emisividad puede cambiarse de 0,10 (10E) a 1 (100E).
- Pulse la tecla Modo (5) para ver más funciones de la pantalla como se muestra a continuación. Aquí se mostrarán los datos de emisividad. (La emisividad predeterminada es 0,95).

- Pulse la tecla Modo (5) para los modos Máximo (MAX), Mínimo (MIN), Diferencia entre MAX y MIN (DIF) y Media (AVG). Durante la medición, la lectura de los modos especiales se mostrará al lado del ícono de modo.
- Pulse la tecla Arriba (4) o la tecla Abajo (2) para cambiar la Alarma alta (HAL) o Alarma baja (LAL); luego pulse la tecla Medir (6) para confirmarla. Cuando la lectura esté fuera del límite de la Alarma alta (HAL) o la Alarma baja (LAL), el ícono Máximo o Mínimo parpadeará y se escuchará un pitido.
- Conecte el termopar en el Enchufe del termopar (11) y coloque la sonda en/sobre el objetivo; el termómetro mostrará la temperatura automáticamente sin pulsar ningún botón. Para ver los datos mínimos o máximos durante la medición con la sonda, mantener pulsada la tecla Arriba (4) o la tecla Abajo (2).

### PRECAUCIÓN:

- Después de medir una temperatura alta, la sonda puede quedar CALIENTE durante un tiempo.
- \*\* El termómetro se apagará automáticamente si no se lo usa durante más de 60 s, a menos que esté en modo PRB. (En modo PRB, se apagará si permanece sin uso durante más de 12 minutos).

## 8. Configuración de mediciones

- En modo MAX, MIN, DIF, AVG:  
pulse la tecla Arriba (4) para encender/apagar (ON/OFF) el modo LOCK (bloquear).  
El modo LOCK (bloquear) es particularmente útil para el monitoreo continuo de temperaturas durante hasta 60 minutos.
- Pulse la tecla Abajo (3) para cambiar °C o °F.
- En todos los modos: primero, mantenga pulsada la tecla Medir (6), y pulse la tecla Arriba (4) para encender/apagar (ON/OFF) la función de retroiluminación y pulse la tecla Abajo (2) para encender/apagar (ON/OFF) la función de láser.  
(La luz parpadeante debe encenderse al mismo tiempo que el láser).

## 9. Mantenimiento

### 9.1 Almacenamiento y limpieza

Debe almacenarse a temperatura ambiente. La lente del sensor es la parte más delicada del termómetro. La lente debe mantenerse limpia en todo momento, debe tenerse precaución al limpiar la lente y solo debe usarse un paño suave o un hisopo de algodón con agua o alcohol de uso médico, y se debe esperar a que la lente se seque totalmente antes de usar el termómetro. No se debe sumergir ninguna de las partes del termómetro.

### 9.2 Mensajes de error en la pantalla LCD

El termómetro incluye los siguientes mensajes de diagnóstico visual: Cuando la temperatura que se está midiendo está fuera de las configuraciones HAL y LAL, se muestra "Hi" (Alta) o "Lo" (Baja).

Cuando se expone el termómetro a cambios rápidos en la temperatura ambiente, se muestra "Er2".

Cuando la temperatura ambiente excede 0 °C (32 °F) o +50 °C (122 °F), se muestra "Er3". Es necesario dar al termómetro el tiempo suficiente (mínimo 30 minutos) para que se estabilice a la temperatura de trabajo/ambiente.

Error 5-9, para todos los otros mensajes de error, es necesario reiniciar el termómetro. Para reiniciarlo, apague el instrumento, retire la batería y espere al menos un minuto, vuelva a colocar la batería y enciéndalo. Si el error persiste, comuníquese con SKF para recibir asistencia.

Cuando la temperatura que se está midiendo está fuera del rango de medición, se muestra "Hi" (Alta) o "Lo" (Baja).

### 9.3 Baterías

El termómetro incluye la siguiente indicación visual de batería baja:

- "Battery OK" (Batería OK): es posible medir.
- "Battery Low)" (Batería baja): es necesario cambiar la batería, aún es posible medir.
- "Battery Exhausted" (Batería agotada): no es posible medir.

Cuando el ícono "Low Battery" (Batería baja) indica que la batería está baja, debe ser cambiada de inmediato con baterías AAA de 1,5 V.

**Importante:** Es importante apagar el instrumento antes de cambiar las baterías, ya que, de no hacerlo, el termómetro podría funcionar mal. Deseche de inmediato las baterías usadas y manténgalas fuera del alcance de niños.

Si no se usa el dispositivo por un largo tiempo, apáguelo, retire las baterías y guárdelas en un lugar fresco y seco.

#### NOTA:

- Bajo un campo electromagnético de 3 V/m desde 90 a 360 MHz y desde 1 a 6 GHz, el error máximo es de 10 °C (18 °F).

## 10. Notas

### ¿Cómo funciona el infrarrojo?

Los termómetros por infrarrojos miden la temperatura de la superficie de un objeto. Los componentes ópticos de la unidad detectan energía emitida, reflejada y transmitida, que se reúne y se enfoca en un detector.

Los componentes electrónicos de la unidad traducen esta información a una lectura de temperatura, que se muestra en la unidad.

El láser se usa solo para apuntar.

- **Campo de visión**

Asegúrese de que el objetivo sea más grande que el tamaño del punto de la unidad.

Cuanto más pequeño sea el objetivo, más cerca debe estar usted.

En los casos en que la precisión sea fundamental, asegúrese de que el objetivo sea, al menos, dos veces más grande que el punto.

- **Distancia y tamaño del punto**

A mayor distancia ( $D$ ) hasta el objeto, el tamaño del punto ( $S$ ) del área medida por la unidad se hace más grande.

Consulte la figura al principio de este manual.

- **Localización de un punto caliente**

Para encontrar un punto caliente, apunte el termómetro fuera del área de interés, luego escanee recorriendo con un movimiento ascendente y descendente hasta que localice un punto caliente.

- **Recordatorios**

- No usar la unidad para medir superficies metálicas brillantes o pulidas (acero inoxidable, aluminio, etc.). Ver Emisividad.
- La unidad no puede medir a través de superficies transparentes como el vidrio; en estos casos, medirá la temperatura de la superficie del vidrio.
- El vapor, el polvo, el humo, etc., pueden evitar la medición exacta, ya que obstruyen el componente óptico de la unidad.

- **Emisividad**

Emisividad es un término usado para describir las características de emisión de energía de los materiales.

La mayoría (90% de las aplicaciones típicas) de los materiales orgánicos y las superficies pintadas u oxidadas tienen una emisividad de 0,95% (preestablecida en la unidad).

Si se hacen mediciones de superficies metálicas brillantes o pulidas, se obtendrán lecturas imprecisas. Para compensar, cubra la superficie que se medirá con cinta de enmascarar o pintura negra. Permita que la cinta adquiera la misma temperatura que el material debajo de ella. Mida la temperatura de la cinta o de la superficie pintada.

## 11. Tabla de emisividad

| Superficie | Emisividad térmica | Superficie       | Emisividad térmica |
|------------|--------------------|------------------|--------------------|
| Asfalto    | De 0.90 a 0.98     | Paño (negro)     | 0.98               |
| Hormigón   | 0.94               | Piel humana      | 0.98               |
| Cemento    | 0.96               | Cuero            | De 0.75 a 0.80     |
| Arena      | 0.90               | Carbón (polvo)   | 0.96               |
| Tierra     | De 0.92 a 0.96     | Laca             | De 0.80 a 0.95     |
| Agua       | De 0.92 a 0.96     | Laca (mate)      | 0.97               |
| Hielo      | De 0.96 a 0.98     | Goma (negra)     | 0.94               |
| Nieve      | 0.83               | Plástico         | De 0.85 a 0.95     |
| Cristal    | De 0.90 a 0.95     | Madera           | 0.90               |
| Cerámica   | De 0.90 a 0.94     | Papel            | De 0.70 a 0.94     |
| Mármol     | 0.94               | Óxidos de cromo  | 0.81               |
| Yeso       | De 0.80 a 0.90     | Óxidos de cobre  | 0.78               |
| Mortero    | De 0.89 a 0.91     | Óxidos de hierro | De 0.78 a 0.82     |
| Ladrillo   | De 0.93 a 0.96     | Textiles         | 0.90               |

## 12. Piezas de repuesto

| Designación | Descripción   |
|-------------|---|
| TMDT 2-30   | Sonda de contacto                                       |
| TDTC 1/X    | Maletín general sin compartimentos interiores, tamaño X |



## Table des matières

|  |    |
|--|----|
| Recommandations de sécurité .....                    | 45 |
| Déclaration de conformité UE .....                   | 46 |
| 1. Introduction .....                                | 47 |
| 2. Démarrage rapide .....                            | 47 |
| 3. Caractéristiques .....                            | 47 |
| 4. Caractéristiques techniques.....                  | 48 |
| 5. Description du panneau avant et des boutons ..... | 50 |
| 6. Vue d'ensemble de l'écran .....                   | 52 |
| 7. Vue d'ensemble du menu .....                      | 53 |
| 8. Paramètres de mesure .....                        | 54 |
| 9. Maintenance .....                                 | 55 |
| 9.1 Stockage et nettoyage .....                      | 55 |
| 9.2 Messages d'erreur sur l'écran LCD .....          | 55 |
| 9.3 Batterie .....                                   | 55 |
| 10. Notes .....                                      | 56 |
| 11. Table d'émissivité .....                         | 57 |
| 12. Pièces de rechange .....                         | 57 |



## Recommandations de sécurité

- Lisez et respectez toujours le mode d'emploi.
- Ne regardez jamais directement dans la source laser.  
Produit laser de classe II.
- Ne pointez jamais les faisceaux laser dans les yeux de quelqu'un.
- N'ouvrez jamais l'instrument.
- N'utilisez jamais l'instrument sous la pluie ni dans des conditions très humides.
- Déconseillé dans une zone à sécurité intrinsèque.
- Toutes les réparations doivent être réalisées par un atelier SKF.
- Voici un tableau répertoriant des substances dangereuses et leur concentration dans le TKTL 31 :

| Nom de la pièce | Substances dangereuses |         |         |                   |                      |                           |
|-----------------|------------------------|---------|---------|-------------------|----------------------|---------------------------|
|                 | Plomb                  | Mercuré | Cadmium | Chrome hexavalent | polybromo-biphényles | polybromo-diphényl-éthers |
|                 | (Pb)                   | (Hg)    | (Cd)    | (Cr(VI))          | (PBB)                | (PBDE)                    |
| Module laser    | x                      | •       | •       | •                 | •                    | •                         |

Le tableau est élaboré conformément aux dispositions de la norme SJ/T11364.

- : Indique que ladite substance dangereuse contenue dans tous les matériaux homogènes de cette pièce est présente dans une concentration inférieure à la limite exigée par la norme GB/T 26572.
- x : Indique que ladite substance dangereuse, contenue au moins dans un des matériaux homogènes utilisés pour cette pièce, est présente dans une concentration supérieure à la limite exigée par la norme GB/T 26572.

## Déclaration de conformité UE TKTL 31

Nous, SKF MPT, Meidoornkade 14, 3992 AE Houten, Pays-Bas déclarons sous notre responsabilité que les produits décrits dans ces instructions d'utilisation sont conformes aux conditions de la ou des directive(s) :

DIRECTIVE CEM 2014/30/UE

et sont en conformité avec les normes suivantes :

CE-EMC:

EN 61326-1:2021 EN 61326-2-2:2021

Émission : CISPR 11:2015 + A1:2010 + A2:2019, Classe B

Immunité : IEC 61000-4-2:2008

IEC 61000-4-3:2020

IEC 61000-4-8:2009

RED-CEM :

DIRECTIVE RELATIVE AUX ÉQUIPEMENTS RADIOÉLECTRIQUES  
2014/53/UE

EN 301489-1 V2.1.1 :2017-02, EN 301489-17 V3.1.1 :2017-02

RED-RF :

EN 300328 V2.1.1 :2016-11

RED-EMF :

EN 62479 :2010, EN 62311 :2008

RED-LVD :

DIRECTIVE BASSE TENSION 2014/35/UE

EN 60950-1 :2006/A11 :2009/A1 :2010/A12 :2011/A2 :2013

**Normes laser** : 21 CFR, ch 1-J

**DEEE** : Directive européenne 2012/19/UE

**RoHS** : DIRECTIVE RoHS (EU) 2015/863

**Exigences CE** : Certifié CE

Houten, Pays-Bas, Février 2025



Guillaume Dubois

Responsable Qualité et Conformité



## 1. Introduction

Le SKF TKTL 31 est un instrument portable, léger et multifonctions permettant de mesurer les températures à distance en toute sécurité. Il suffit de pointer, d'appuyer sur la gâchette et la température s'affiche sur l'écran. Les utilisateurs peuvent également mesurer les températures avec contact à l'aide de la sonde fournie.

Cet instrument aux nombreuses fonctionnalités peut également stocker les valeurs mesurées, notamment : maximale, minimale, différentielle, moyenne, niveaux d'alarme haut et bas, réglage de l'émissivité.

## 2. Démarrage rapide

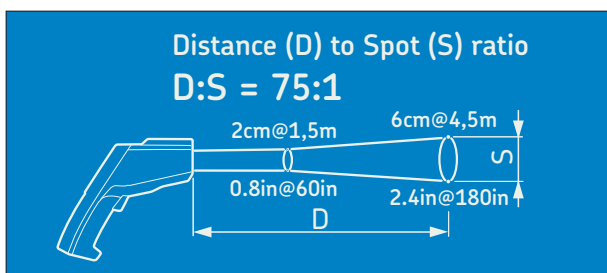
1. Pointez simplement le thermomètre sur la cible de mesure avec la lentille (8) et appuyez sur la touche de mesure (6) pour afficher la température de surface.
2. Le rapport Distance : Le point est de 75:1.  
Les deux points laser servent de référence pour la taille du point cible. Assurez-vous que la zone cible se trouve dans le champ de vision.

## 3. Caractéristiques

- Écran LCD noir et blanc, rétroéclairé
- Double visée laser
- Sonde à thermocouple type K
- Émissivité réglable
- Haute précision
- Temps de réponse rapide
- Rapport DP de 75:1

À mesure que la distance (D) à partir de l'objet augmente, la taille du point (P) de la zone mesurée par le TKTL 31 s'agrandit.

La relation entre la distance et chaque unité est répertoriée ci-dessous. La taille du point indique 90 % de l'énergie mesurée.

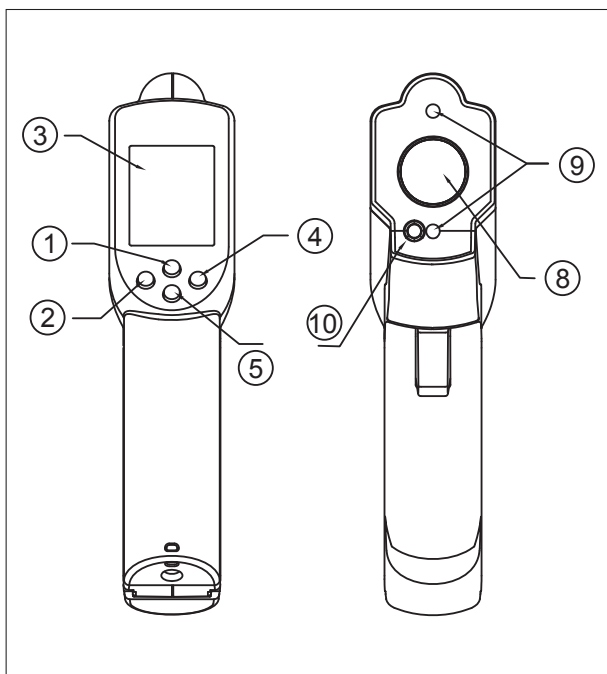


## 4. Caractéristiques techniques

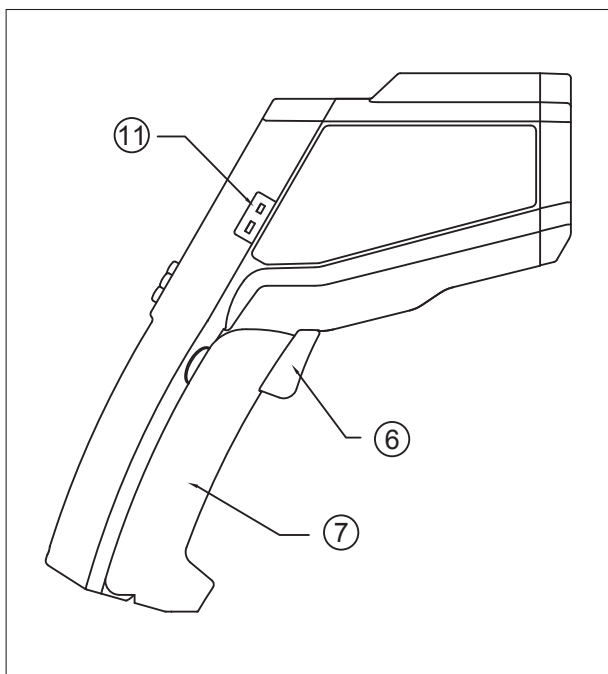
|  |  |
|--|--|
| <b>Désignation</b>                                     | <b>TKTL 31</b>   |
| <b>Plage de température</b>                            |  |
| Mesure infrarouge                                      | -60 à 1 600 °C   |
| Avec une sonde   | -64 à 1 400 °C   |
| Sonde fournie  | TMDT 2-30, convient pour une utilisation jusqu'à 900 °C  |
| Types de sonde adaptés                                 | Sondes de type K   |
| <b>Précision sur l'ensemble de la plage</b>            |  |
| Tamb = 25°C  | Tobj = 15 à 35 °C, +/- 1.0 °C  |
| Tamb = 23 +/- 3°C                                      | Tobj = 0 à 1 600 °C, +/- 2 % de la valeur affichée ou 2 °C en considérant la valeur la plus grande |
| Tamb = 23 +/- 3°C                                      | Tobj = -60 à 0 °C, +/- (2 + 0,05/°) °C   |
| Tamb = 23 +/- 6°C                                      | Avec sonde : ±1 % de la valeur affichée ou 1 °C en considérant la valeur la plus grande            |
| Temps de réponse                                       | 1 s  |
| Optique  | Perçoit l'énergie émise, réfléchi et transmise.  |
| Distance par rapport à la taille du point              | 75:1   |
| Réponse spectrale                                      | 8-14 µm  |
| Émissivité variable                                    | 0.1-1.0  |
| Laser  | Classe 2   |
| Puissance maximale du laser                            | 1 mW   |
| Pointeurs laser  | 2 points laser   |
| Longueur d'onde laser                                  | 635 - 660 nm   |
| <b>Écran</b>   |  |
| Écran  | Écran LCD noir et blanc, rétroéclairé  |
| Résolution d'affichage                                 | 0.1 °C/F depuis -83.2-999.9, sinon 1 °C/F  |
| <b>Commandes</b>                                       |  |
| Boutons  | 4 boutons et 1 gâchette.<br>Fonctionnement conforme au mode d'emploi                               |
| Écran rétroéclairé sélectionnable par l'utilisateur    | oui, Marche/arrêt  |
| Pointeurs laser sélectionnables par l'utilisateur (2x) | oui, Marche/arrêt  |
| Modes de mesure  | Température max., min., moyenne, différentielle, double sonde/IR                                   |
| Modes d'alarme   | Niveau d'alarme haut et bas avec bip d'avertissement   |
| <b>Dimensions</b>                                      |  |
| Unité  | 203 × 197 × 47 mm  |
| Dimensions de la mallette de transport TL1             | 530 × 85 × 180 mm  |
| Poids (mallette incluse)                               | 1 300 g  |

|                               |  |
|-------------------------------|--|
| <b>Désignation</b>            | <b>TKTL 31</b>   |
| <b>Piles</b>                  |  |
| Type                          | 2 piles alcalines AAA de type IEC LR03   |
| Durée de fonctionnement       | Durée type 180 heures, au min 140 heures d'utilisation continue sans laser ni rétroéclairage |
| Arrêt automatique             | Automatique 60 secondes après relâchement de la gâchette                                     |
| Mode sonde                    | Automatique au bout de 12 minutes  |
|                               |  |
| <b>Environnement</b>          |  |
| Température de fonctionnement | 0 à 50 °C<br>10 à 95 % d'HR  |
| Température de stockage       | - 10 à 60 °C<br>10 à 95 % d'HR   |

## 5. Description du panneau avant et des boutons

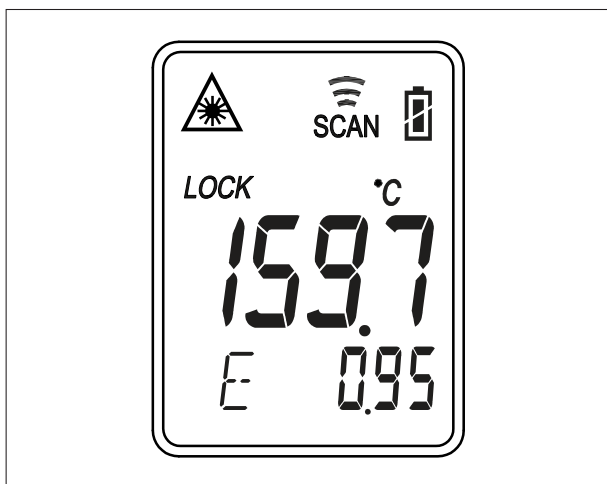


| Article | Description         |
|---------|---------------------|
| 1       | Touche d'émissivité |
| 2       | Touche Bas          |
| 3       | Écran LCD           |
| 4       | Touche Haut         |
| 5       | Touche de mode      |
| 8       | Lentille infrarouge |
| 9       | Laser               |
| 10      | LED                 |



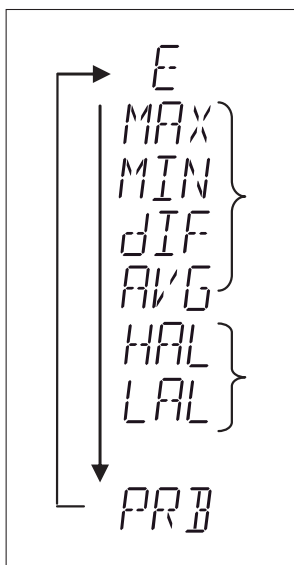
| Article | Description              |
|---------|--------------------------|
| 6       | Touche de mesure         |
| 7       | Couvercle de la batterie |
| 11      | Fiche du thermocouple    |

## 6. Vue d'ensemble de l'écran



Écran par défaut

## 7. Vue d'ensemble du menu



- Appuyez sur la touche d'émissivité (1) pour régler l'émissivité  
 $\blacktriangle E \blacktriangledown$
  - Appuyez sur la touche d'émissivité (1), puis sur la touche Haut (4) ou Bas (2) pour régler l'émissivité, puis appuyez sur la touche de mode (5) pour confirmer le réglage. L'émissivité peut être modifiée de 0,10 (10E) à 1 (100E).
  - Appuyez sur la touche de mode (5) pour faire défiler d'autres fonctions d'affichage comme suit. C'est là que s'affichent les données d'émissivité. (L'émissivité par défaut est de 0,95.)
- 
- Appuyez sur la touche de mode (5) pour afficher les modes Maximum (MAX), Minimum (MIN), Différence entre MAX et MIN (DIF) et Moyenne (AVG). Pendant la mesure, la valeur du mode spécial s'affiche à côté de l'icône de mode.
  - Appuyez sur la touche Haut (4) ou Bas (2) pour modifier le niveau d'alarme haut (HAL) ou le niveau d'alarme bas (LAL), puis appuyez sur la touche de mesure (6) pour le confirmer. Lorsque la valeur lue est en dehors du niveau d'alarme haut (HAL) ou du niveau d'alarme bas (LAL), l'icône Haut ou Bas clignote et vous entendez un bip.
  - Connectez le thermocouple à la fiche du thermocouple (11) et placez la sonde dans/sur la cible, le thermomètre affiche automatiquement la température sans que vous ayez à appuyer sur un bouton. Pour visualiser les données minimales ou maximales pendant la mesure de la sonde, appuyez longuement sur la touche Haut (4) ou la touche Bas (2).

### MISE EN GARDE :

- Après la mesure d'une température élevée, la sonde peut rester CHAUDE pendant un certain temps.
- \*\* Le thermomètre s'éteint automatiquement au bout de 60 secondes d'inactivité, sauf s'il est en mode PRB. (En mode PRB, il s'éteint au bout de 12 minutes d'inactivité.)

## 8. Paramètres de mesure

- En mode MAX, MIN, DIF, AVG :  
Appuyez sur la touche Haut (4) pour activer/désactiver le mode LOCK (verrouillage).  
Le mode de verrouillage est particulièrement utile pour surveiller en continu les températures pendant un maximum de 60 minutes.
- Appuyez sur la touche Bas (3) pour basculer entre °C et °F.
- Dans tous les modes :  
Tout en appuyant sur la touche de mesure (6), appuyez sur la touche Haut (4) pour activer/désactiver le rétroéclairage, appuyez sur la touche Bas (2) pour activer/désactiver la fonction laser. (le flash doit être allumé en même temps que le laser).

## 9. Maintenance

### 9.1 Stockage et nettoyage

Il doit être stocké à température ambiante. La lentille du capteur est la pièce la plus fragile du thermomètre. La lentille doit toujours être maintenue propre. Ne la nettoyer qu'avec un chiffon doux ou un coton-tige imbibé d'eau ou d'alcool à usage médical et la laisser sécher complètement avant d'utiliser le thermomètre.

N'immergez aucune partie du thermomètre.

### 9.2 Messages d'erreur sur l'écran LCD

Le thermomètre intègre des messages de diagnostic visuel comme suit : « Hi » ou « Low » s'affiche lorsque la température mesurée est en dehors des réglages de HAL et LAL.

« Er2 » s'affiche lorsque le thermomètre est exposé à des variations rapides de la température ambiante.

« Er3 » s'affiche lorsque la température ambiante dépasse 0 °C ou +50 °C. Vous devez laisser le temps au thermomètre (au moins 30 minutes) pour se stabiliser à la température de fonctionnement/de la pièce.

Erreur 5-9, pour tous les autres messages d'erreur, il est nécessaire de réinitialiser le thermomètre. Pour le réinitialiser, éteignez l'instrument, retirez la batterie et patientez au moins une minute, puis réinsérez-la et rallumez l'instrument. Si le message d'erreur persiste, veuillez contacter SKF pour obtenir de l'aide.

« Hi » ou « Lo » s'affiche lorsque la température mesurée est en dehors de la plage de mesure.

### 9.3 Batterie

Le thermomètre intègre une indication visuelle de faible niveau de la batterie comme suit :

- « Battery OK » : les mesures sont possibles.
- « Battery Low » : la batterie doit être remplacée, les mesures sont encore possibles.
- « Battery Exhausted » : les mesures ne sont pas possibles.

Lorsque l'icône « Low Battery » indique que la batterie est faible, elle doit être immédiatement remplacée par des piles AAA, de 1,5 V.

**Remarque :** il est important d'éteindre l'instrument avant de remplacer la batterie, sous peine de provoquer un dysfonctionnement du thermomètre. Mettez rapidement au rebut la batterie usagée et conservez-la hors de portée des enfants. Si l'appareil n'est pas utilisé pendant une période prolongée, éteignez-le, retirez la batterie et stockez-la dans un endroit frais et sec.

#### REMARQUE :

- Sous un champ électromagnétique de 3 V/m entre 90 et 360 MHz et entre 1 et 6 GHz, l'erreur maximale est de 10 °C.

## 10. Notes

### Comment fonctionne l'infrarouge ?

Les thermomètres à infrarouge mesurent la température de surface d'un objet. L'optique de l'unité détecte l'énergie émise, réfléchie et transmise, qui est collectée et focalisée sur un détecteur.

L'électronique de l'unité traduit les informations en valeur de température, affichée sur l'unité.

Le laser sert uniquement à des fins de visée.

- **Champ de vision**

Assurez-vous que la cible est plus grande que la taille du point de l'unité.

Plus la cible est petite, plus vous devez être près.

Si la précision est essentielle, assurez-vous que la cible est au moins deux fois plus grande que la taille du point.

- **Distance par rapport à la taille du point**

À mesure que la distance (D) à partir de l'objet augmente, la taille du point (P) de la zone mesurée par l'unité s'agrandit.

Voir la figure au début de ce manuel.

- **Emplacement d'un point chaud**

Pour trouver un point chaud, pointez le thermomètre hors de la zone d'intérêt, puis balayez les environs avec un mouvement de haut en bas jusqu'à trouver le point chaud.

- **Rappels**

- N'utilisez pas l'unité pour mesurer des surfaces métalliques brillantes ou polies (acier inox, aluminium, etc.). Voir Émissivité.
- L'unité ne mesure pas à travers les surfaces transparentes comme le verre. Elle mesure en fait la température à la surface du verre.
- Vapeur, poussière, fumée, etc., peuvent empêcher une mesure précise en obstruant l'optique de l'unité.

- **Émissivité**

L'émissivité est un terme décrivant les caractéristiques d'émission d'énergie d'un matériau.

La plupart des matériaux organiques et des surfaces peintes ou oxydées (90 % des applications typiques) présentent une émissivité de 0,95 (préréglage dans l'unité).

La mesure de surfaces métalliques brillantes ou polies entraîne des lectures imprécises. Pour compenser, couvrez la surface à mesurer avec un ruban adhésif opaque ou une peinture noire.

Laissez au ruban adhésif opaque le temps d'atteindre la même température que le matériau qu'il couvre.

Mesurez la température de la surface du ruban ou de la peinture.

## 11. Table d'émissivité

| Matériaux | Émissivité thermique | Matériaux         | Émissivité thermique |
|-----------|----------------------|-------------------|----------------------|
| Asphalte  | 0.90 à 0.98          | Tissu (noir)      | 0.98                 |
| Béton     | 0.94                 | Peau humaine      | 0.98                 |
| Ciment    | 0.96                 | Cuir              | 0.75 à 0.80          |
| Sable     | 0.90                 | Charbon (poudre)  | 0.96                 |
| Terre     | 0.92 à 0.96          | Laque             | 0.80 à 0.95          |
| Eau       | 0.92 à 0.96          | Laque (mate)      | 0.97                 |
| Glace     | 0.96 à 0.98          | Caoutchouc (noir) | 0.94                 |
| Neige     | 0.83                 | Plastique         | 0.85 à 0.95          |
| Verre     | 0.90 à 0.95          | Bois              | 0.90                 |
| Céramique | 0.90 à 0.94          | Papier            | 0.70 à 0.94          |
| Marbre    | 0.94                 | Oxydes de chrome  | 0.81                 |
| Plâtre    | 0.80 à 0.90          | Oxydes de cuivre  | 0.78                 |
| Mortier   | 0.89 à 0.91          | Oxydes de fer     | 0.78 à 0.82          |
| Brique    | 0.93 à 0.96          | Textiles          | 0.90                 |

## 12. Pièces de rechange

| Désignation | Description                                    |
|-------------|--|
| TMDT 2-30   | Sonde de contact                               |
| TDTC 1/X    | Mallette de transport sans insert, dimension X |



## Indice

|   |    |
|---|----|
| Norme di sicurezza.....                                 | 59 |
| Dichiarazione di conformità CE .....                    | 60 |
| 1. Introduzione .....                                   | 61 |
| 2. Avvio rapido.....                                    | 61 |
| 3. Caratteristiche .....                                | 61 |
| 4. Dati tecnici .....                                   | 62 |
| 5. Descrizione del pannello anteriore e dei tasti ..... | 64 |
| 6. Panoramica sul display.....                          | 66 |
| 7. Menu overview .....                                  | 67 |
| 8. Impostazioni di misurazione .....                    | 68 |
| 9. Manutenzione .....                                   | 69 |
| 9.1 Stoccaggio e pulizia .....                          | 69 |
| 9.2 Messaggi di errore LCD .....                        | 69 |
| 9.3 Batterie .....                                      | 69 |
| 10. Note .....  | 70 |
| 11. Tabella dell'emissività .....                       | 71 |
| 12. Ricambi .....                                       | 71 |



## Norme di sicurezza

- Leggere sempre e attenersi alle istruzioni d'uso.
- Non guardare direttamente la sorgente laser.  
Prodotto laser classe II
- Non puntare mai il raggio laser negli occhi di altre persone.
- Non aprire in nessun caso lo strumento.
- Non utilizzare mai sotto la pioggia o in condizioni molto umide
- Non adatto per aree intrinsecamente sicure
- Le riparazioni devono essere affidate a officine SKF autorizzate.
- Di seguito è riportata una tabella delle sostanze pericolose e la concentrazione per il TKTL 31:

| Nome componente | Sostanze pericolose |          |        |                  |                        |                              |
|-----------------|---------------------|----------|--------|------------------|------------------------|------------------------------|
|                 | Piombo              | Mercurio | Cadmio | Cromo esavalente | Polibromurati Bifenili | Polibromurati Difenili Eteri |
|                 | (Pb)                | (Hg)     | (Cd)   | (Cr(VI))         | (PBB)                  | (PBDE)                       |
| Modulo laser    | x                   | •        | •      | •                | •                      | •                            |

Questa tabella è stata redatta seguendo le direttive della SJ/T11364.

- : Indica che la quantità di sostanza pericolosa specifica, contenuta in tutti i materiali omogenei di questo componente, è inferiore al limite prescritto dalla GB/T 26572.
- x : Indica che la quantità di sostanza pericolosa specifica, contenuta in almeno uno dei materiali omogenei di questo componente, è superiore al limite prescritto dalla GB/T 26572.

## Dichiarazione di conformità CE TKTL 31

Noi, SKF MPT, Meidoornkade 14, 3992 AE Houten, Paesi Bassi dichiariamo sotto la nostra responsabilità con la presente che i prodotti descritti in queste istruzioni per l'uso sono conformi alle condizioni delle seguenti direttive:

DIRETTIVA EMC SULLA COMPATIBILITÀ ELETTROMEGETICA 2014/30/UE e sono conformi ai seguenti standard:

CE-EMC:

EN 61326-1:2021 EN 61326-2-2:2021

Emissioni: CISPR 11:2015 + A1:2010 + A2:2019, Classe B

Immunità: EC 61000-4-2:2008

IEC 61000-4-3:2020

IEC 61000-4-8:2009

RED-EMC:

DIRETTIVA SULLE APPARECCHIATURE RADIO 2014/53/UE

EN 301489-1 V2.1.1 :2017-02, EN 301489-17 V3.1.1 :2017-02

RED-RF:

EN 300328 V2.1.1 :2016-11

RED-EMF:

EN 62479 :2010, EN 62311 :2008

RED-LVD:

DIRETTIVA BASSA TENSIONE 2014/35/UE

EN 60950-1 :2006/A11 :2009/A1 :2010/A12 :2011/A2 :2013

**Specifiche laser:** 21 CFR, ch 1-J

**WEEE:** Direttiva europea 2012/19/UE

**RoHS:** DIRETTIVA RoHS (EU) 2015/863

**Requisiti CE:** Certificato CE

Houten, Paesi Bassi, Febbraio 2025



Guillaume Dubois

Responsabile Qualità e Conformità



## 1. Introduzione

L'SKF TKTL 31 è uno strumento portatile, leggero e multifunzione per rilevare in sicurezza le temperature a distanza.

Basta semplicemente mirare e premere il dispositivo di azionamento e la temperatura viene visualizzata sul display. Gli utenti possono anche rilevare la temperatura utilizzando la sonda a corredo.

Questo dispositivo multifunzione può anche memorizzare i valori misurati come massimo, minimo, differenza, media, allarme alta, allarme bassa, impostazione di emissività.

## 2. Avvio rapido

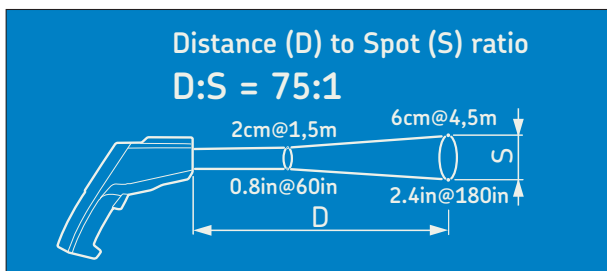
1. Puntare semplicemente il termometro sull'oggetto di misurazione con il tasto Lenti (8) e premere il tasto Misurazione (6) per visualizzare la temperatura della superficie.
2. Il rapporto distanza-punto è 75:1.  
I due punti laser sono il riferimento per le dimensioni del punto di misurazione.  
Assicurarsi che l'area di misurazione sia entro il campo visivo.

## 3. Caratteristiche

- Display LCD in bianco e nero, retroilluminato
- Puntamento a due punti laser
- Sonda termocoppia tipo K
- Coefficiente di emissività regolabile
- Elevata precisione
- Tempo di risposta rapido
- Rapporto DS 75:1

Con l'aumentare della distanza (D) dall'oggetto, aumentano le dimensioni del punto (S) dell'area misurata dal TKTL 31.

La relazione tra distanza e ciascuna unità è illustrata di seguito. Le dimensioni del punto indicano il 90% di energia misurata.

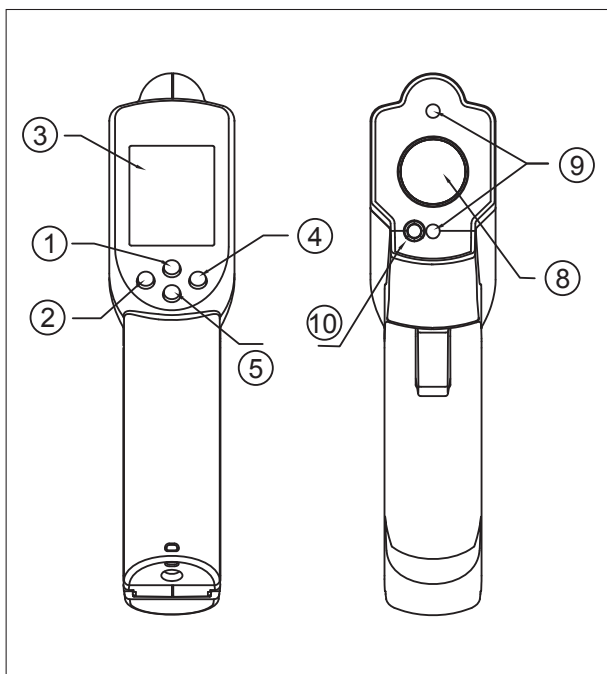


## 4. Dati tecnici

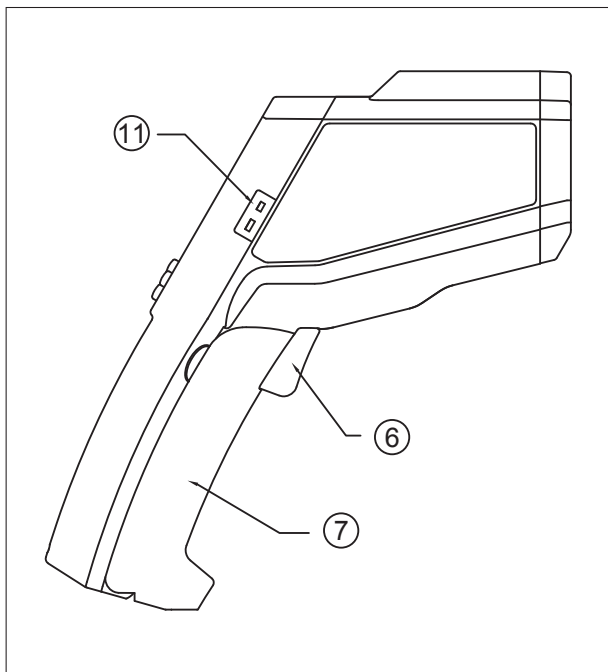
|   |   |
|---|---|
| <b>Appellativo</b>                            | <b>TKTL 31</b>  |
| <b>Range di temperature</b>                   |   |
| Misurazioni a raggi infrarossi                | da -60 a 1 600 °C   |
| Misurazioni con la sonda                      | da -64 a 1 400 °C   |
| Sonda fornita in dotazione                    | TMDT 2-30, idonea per l'impiego fino a 900 °C                                     |
| Tipi di sonda compatibili                     | Sonde tipo K  |
|   |   |
| <b>Precisione su tutta la scala</b>           |   |
| Tamb = 25°C                                   | Tobj = da 15 a 35 °C, +/- 1.0 °C  |
| Tamb = 23 +/- 3°C                             | Tobj = da 0 a 1 600 °C, +/-2% della lettura o 2 °C quale sia il maggiore          |
| Tamb = 23 +/- 3°C                             | Tobj = da -60 a 0 °C, +/- (2 + 0.05/°) °C   |
| Tamb = 23 +/- 6°C                             | Con la sonda: +/- 1% della lettura o 1°C quale sia il maggiore                    |
| Tempo di risposta                             | 1 sec   |
| Ottica  | Rileva l'energia emessa, riflessa e trasmessa.                                    |
| Rapporto distanza-punto                       | 75:1  |
| Risposta spettrale                            | 8-14 µm   |
| Variabile per l'emissività                    | 0.1-1.0   |
| Laser   | Classe 2  |
| Potenza massima del laser                     | 1 mW  |
| Puntatori laser                               | 2 punti laser   |
| Lunghezza onda laser                          | 635 - 660 nm  |
|   |   |
| <b>Display</b>                                |   |
| Display                                       | Display LCD in bianco e nero, retroilluminato                                     |
| Risoluzione display                           | 0.1 °C/F da -83.2-999.9, altrimenti 1° C/F  |
|   |   |
| <b>Comandi</b>                                |   |
| Tasti   | 4 tasti e un dispositivo di azionamento<br>Funzionamento come da istruzioni d'uso |
| Display retroilluminato impostabile da utente | sì, On/off  |
| Puntatori impostabili da utente               | sì, On/off  |
| Modalità di misurazione                       | Temperatura max, min, media, differenziale, doppia sonda/IR                       |
| Modalità di allarme                           | Allarme alta e bassa con segnale acustico   |
|   |   |
| <b>Dimensioni</b>                             |   |
| Unità   | 203 × 197 × 47 mm   |
| Dimensioni della custodia di trasporto TL1    | 530 × 85 × 180 mm   |
| Peso (inclusa custodia)                       | 1 300 g   |
|   |   |

|                           |  |
|---------------------------|--|
| <b>Appellativo</b>        | <b>TKTL 31</b>   |
| <b>Batterie</b>           |  |
| Tipo                      | 2 × batterie AAA alcaline tipo IEC LR03                                |
| Autonomia                 | Tip.180, min 140 ore di uso continuo senza laser e retroilluminazione  |
| Autospegnimento           | Automatico dopo 60 secondi dal rilascio del dispositivo di azionamento |
| Modalità sonda            | Automatica dopo 12 minuti  |
|                           |  |
| <b>Ambiente</b>           |  |
| Temperatura di esercizio  | da 0 a 50 °C<br>da 10 a 95% U.R.                                       |
| Temperatura di stoccaggio | da - 10 a 60 °C<br>da 10 a 95% U.R.                                    |

## 5. Descrizione del pannello anteriore e dei tasti

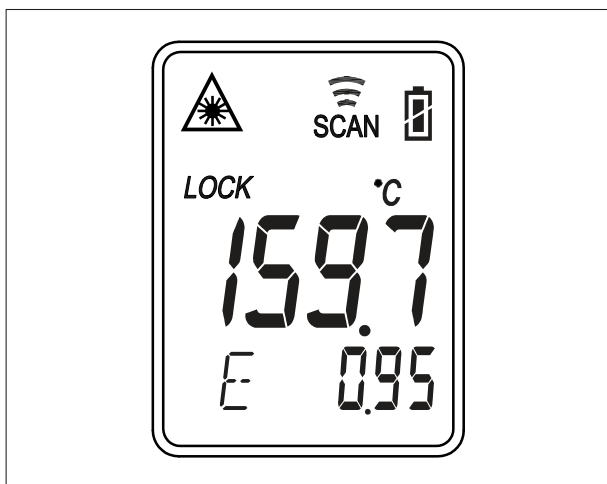


| Elemento | Descrizione                       |
|----------|-----------------------------------|
| 1        | Tasto impostazione emissività     |
| 2        | Tasto per scorrere verso il basso |
| 3        | LCD                               |
| 4        | Tasto per scorrere verso l'alto   |
| 5        | Tasto impostazione modalità       |
| 8        | Lenti a infrarossi                |
| 9        | Laser                             |
| 10       | LED                               |



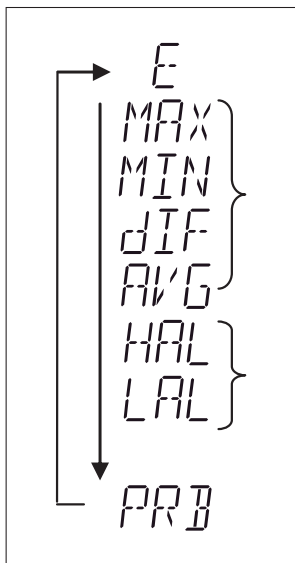
| Elemento | Descrizione              |
|----------|--------------------------|
| 6        | Tasto di misurazione     |
| 7        | Coperchio batteria       |
| 11       | Presenza per termocoppia |

## 6. Panoramica sul display



*Schermata predefinita*

## 7. Menu overview



- Per impostare l'emissività, premere l'apposito tasto (1)  
 $\blacktriangle E \blacktriangledown$
- Premere il tasto Emissività (1), quindi il tasto Su (4) o Giù (2) per impostare l'emissività e infine premere il tasto Modalità (5) per confermare.  
L'emissività può essere impostata da 0,10 (10E) a 1 (100E).
- Premere il tasto Modalità (5) per sfogliare altre funzioni display come descritto di seguito.  
Qui vengono visualizzati i dati relativi all'emissività. (Il valore predefinito per l'emissività è 0,95.)

- Premere il tasto Modalità (5) per passare tra le modalità Massimo (MAX), Minimo (MIN), Differenza tra MAX e MIN (DIF) e Media (AVG). Durante la misurazione, accanto all'icona della modalità viene visualizzata la lettura delle modalità speciali.
- Premere il tasto Su (4) o Giù (2) per modificare High Alarm (HAL) o Low Alarm (LAL), quindi premere il tasto Misurazione (6) per confermare. Quando la lettura è fuori limite High Alarm (HAL) o Lo Alarm (LAL), l'icona High o Low lampeggia e viene emesso un avviso acustico.
- Collegare la termocoppia all'apposita presa (11) e collocare la sonda nel/sull'oggetto da misurare, il termometro visualizzerà automaticamente la temperatura senza necessità di premere alcun tasto. Per visualizzare la temperatura massima e minima durante la misurazione con la sonda, tenere premuto il tasto Su (4) o Giù (2).

### ATTENZIONE:

- Dopo la misurazione di temperature elevate, la sonda potrebbe essere ancora CALDA per un certo periodo.
- \*\* Il termometro si spegne automaticamente dopo un periodo di inattività di oltre 60 secondi, eccetto in modalità PRB. (In modalità PRB si spegne dopo un periodo di inattività di oltre 12 minuti).

## 8. Impostazioni di misurazione

- In modalità MAX, MIN, DIF, AVG:  
premere il tasto Su (4) per attivare/disattivare la modalità LOCK (BLOCCO).  
La modalità di blocco è particolarmente utile per il monitoraggio continuo delle temperature fino a 60 minuti.
- Premere il tasto Giù (3) per passare da °C a °F.
- In tutte le modalità: premere il tasto Misurazione (6) quindi premere il tasto Su (4) per attivare/disattivare la funzione retroilluminazione, e il tasto Giù (2) per attivare/disattivare la funzione laser.  
(Per attivare il flash contemporaneamente al laser).

## 9. Manutenzione

### 9.1 Stoccaggio e pulizia

Il dispositivo deve essere stoccato a temperatura ambiente. Le lenti del sensore sono i componenti più delicati del termometro. Le lenti devono essere mantenute sempre pulite. Pulire le lenti con cura utilizzando solo un panno morbido o un batuffolo di cotone inumiditi con acqua o alcool per uso medico e lasciarle asciugare completamente prima dell'utilizzo nel termometro. Non immergere nessun componente del termometro in nessun liquido.

### 9.2 Messaggi di errore LCD

Il termometro restituisce i seguenti messaggi di diagnostica: Se la temperatura non rientra nelle impostazioni per HAL o LAL, viene visualizzato 'Hi' o 'Low'.

'Er2' viene visualizzato se il termometro è esposto a repentine variazioni della temperatura ambiente.

'Er3' viene visualizzato se la temperatura ambiente supera 0 °C o +50 °C. Consentire al termometro tempo sufficiente (minimo 30 minuti) per stabilizzarsi alla temperatura ambiente/di lavoro.

Errori 5~9: per tutti gli altri messaggi di errore è necessario resettare il termometro. Per resettare il termometro, spegnere lo strumento, rimuovere la batteria e attendere almeno un minuto, reinserire quindi la batteria e riaccendere lo strumento. Se il messaggio di errore persiste, contattare SKF per ulteriore assistenza.

Se la temperatura non rientra nella gamma di misurazione, viene visualizzato 'Hi' o 'Low'.

### 9.3 Batterie

Il termometro restituisce le seguenti indicazioni visive per la batteria:

- 'Battery OK': si possono eseguire misurazioni.
- 'Battery low': la batteria è bassa e deve essere sostituita, ma si possono ancora eseguire misurazioni.
- 'Battery Exhausted': le batterie sono scariche e non si possono eseguire misurazioni.

Se l'icona 'Low Battery' indica che le batterie sono scariche è necessario sostituirle immediatamente con batterie AAA, 1,5V.

**NB:** spegnere lo strumento prima di sostituire la batteria, per evitare eventuali malfunzionamenti del termometro. Smaltire immediatamente la batteria esausta e tenere lontano dalla portata dei bambini.

In caso di non utilizzo del dispositivo per un periodo di tempo prolungato, spegnere lo strumento, rimuovere le batterie e conservarle in un luogo fresco e asciutto.

#### NOTE:

- In presenza di un campo elettromagnetico di 3V/m da 90 a 360 MHz e da 1 a 6GHz, il massimo errore è 10 °C.

## 10. Note

### Come funzionano i raggi infrarossi?

I termometri a raggi infrarossi si utilizzano per misurare la temperatura superficiale degli oggetti. L'ottica dell'unità rileva l'energia emessa, riflessa e trasmessa, che viene acquisita e veicolata a un rilevatore.

L'elettronica dell'unità converte i dati in una lettura di temperatura che viene quindi visualizzata dall'unità.

Il laser si utilizza solo per il puntamento.

### • Campo visivo

Assicurarsi che le dimensioni del punto di misurazione siano maggiori di quelle del punto laser dell'unità.

Più piccolo è il punto di misurazione e più è necessario avvicinarsi.

Se la precisione è un requisito essenziale, assicurarsi che le dimensioni del punto di misurazione siano almeno il doppio di quelle del punto laser dell'unità.

### • Rapporto distanza-punto

Con l'aumentare della distanza (D) dall'oggetto, aumentano le dimensioni del punto (S) dell'area misurata dall'unità.

Fare riferimento alle figure all'inizio del presente manuale.

### • Localizzare un punto caldo

Per localizzare un punto caldo, puntare il termometro al di fuori dell'area di interesse, quindi scansionare l'oggetto con un movimento dall'alto in basso per trovare il punto giusto.

### • Promemoria

- Non utilizzare l'unità per eseguire misurazioni su superfici metalliche lucide o lucidate (acciaio inox, alluminio, ecc.). Fare riferimento alla sezione Emissività.
- L'unità non è in grado di eseguire misurazioni attraverso superfici trasparenti come il vetro. Misurerà invece la temperatura del vetro.
- In caso di vapore, polvere, fumo, ecc. sull'ottica dell'unità, le misurazioni non saranno accurate.

### • Emissività

Emissività è un termine che si utilizza per descrivere le caratteristiche di emissione dell'energia dei materiali.

La maggior parte dei materiali organici e delle superfici verniciate od ossidate (nel 90% delle applicazioni tipiche) presentano un'emissività pari a 0,95 (valore preimpostato nell'unità).

Se si eseguono misurazioni su superfici metalliche lucide o lucidate, le letture non saranno accurate. Per ovviare al problema, coprire la superficie da misurare con nastro per mascheramento o applicare alla superficie una vernice nera. Consentire al nastro di raggiungere la temperatura dell'oggetto ricoperto, quindi misurare la temperatura del nastro o della superficie verniciata.

## 11. Tabella dell'emissività

| Sostanza     | Emissività termica | Sostanza          | Emissività termica |
|--------------|--------------------|-------------------|--------------------|
| Asfalto      | da 0.90 a 0.98     | Tessuto (nero)    | 0.98               |
| Calcestruzzo | 0.94               | Pelle umana       | 0.98               |
| Cemento      | 0.96               | Pelle             | da 0.75 a 0.80     |
| Sabbia       | 0.90               | Carbone (polvere) | 0.96               |
| Terra        | da 0.92 a 0.96     | Lacca             | da 0.80 a 0.95     |
| Acqua        | da 0.92 a 0.96     | Lacca (opaca)     | 0.97               |
| Ghiaccio     | da 0.96 a 0.98     | Gomma (nera)      | 0.94               |
| Neve         | 0.83               | Plastica          | da 0.85 a 0.95     |
| Vetro        | da 0.90 a 0.95     | Legname           | 0.90               |
| Ceramica     | da 0.90 a 0.94     | Carta             | da 0.70 a 0.94     |
| Marmo        | 0.94               | Ossidi di cromo   | 0.81               |
| Intonaco     | da 0.80 a 0.90     | Ossidi di rame    | 0.78               |
| Malta        | da 0.89 a 0.91     | Ossidi di ferro   | da 0.78 a 0.82     |
| Mattone      | da 0.93 a 0.96     | Tessili           | 0.90               |

## 12. Ricambi

| Appellativo | Descrizione                                     |
|-------------|---|
| TMDT 2-30   | Sonda a contatto                                |
| TDTC 1/X    | Valigetta senza sagomatura interna in formato X |



# Índice

|   |    |
|---|----|
| Recomendações de segurança .....                  | 73 |
| Declaração de conformidade UE .....               | 74 |
| 1. Introdução .....                               | 75 |
| 2. Início rápido .....                            | 75 |
| 3. Recursos .....                                 | 75 |
| 4. Dados técnicos .....                           | 76 |
| 5. Descrição do painel frontal e dos botões ..... | 78 |
| 6. Visão geral do display .....                   | 80 |
| 7. Visão geral do menu .....                      | 81 |
| 8. Configurações de medição .....                 | 82 |
| 9. Manutenção .....                               | 83 |
| 9.1 Armazenamento e limpeza .....                 | 83 |
| 9.2 Mensagens de erro do LCD .....                | 83 |
| 9.3 Pilhas .....                                  | 83 |
| 10. Notas .....                                   | 84 |
| 11. Tabela de emissividade .....                  | 85 |
| 12. Peças de reposição .....                      | 85 |



## Recomendações de segurança

- Leia e siga sempre as instruções operacionais de uso.
- Nunca olhe diretamente para a fonte de laser.  
Produto com laser de classe II.
- Nunca aponte o laser para os olhos de pessoas ou animais.
- Nunca abra o instrumento.
- Nunca use o instrumento sob chuva ou condições muito úmidas.
- Não se destina ao uso em áreas intrinsecamente seguras.
- Todos os trabalhos de reparo devem ser realizados por uma oficina de reparos da SKF.
- Veja abaixo uma tabela com os nomes e as concentrações de substâncias perigosas existentes no TKTL 31:

| Nome da peça | Substâncias perigosas |                  |                |                               |                                 |   |
|--------------|-----------------------|------------------|----------------|-------------------------------|---------------------------------|---|
|              | Chumbo<br>(Pb)        | Mercúrio<br>(Hg) | Cádmio<br>(Cd) | Cromo hexavalente<br>(Cr(VI)) | Bifenilos polibromados<br>(PBB) | Éteres difenílicos polibromados<br>(PBDE) |
| Módulo laser | x                     | •                | •              | •                             | •                               | •   |

A tabela está de acordo com as disposições da norma SJ/T11364.

- : Indica que a referida substância perigosa contida em todos os materiais homogêneos desta peça está abaixo do requisito limite da GB/T 26572.
- x: Indica que a referida substância perigosa contida em pelo menos um dos materiais homogêneos utilizados nesta peça está acima do requisito limite da GB/T 26572.

## Declaração de conformidade UE TKTL 31

A SKF MPT, Meidoornkade 14, 3992 AE Houten, Holanda, declara, por meio desta e sob sua inteira responsabilidade, que os produtos a seguir, referentes a esta declaração, estão de acordo com as condições descritas na(s) seguinte(s) Diretiva(s):

DIRETIVA EMC 2014/30/UE

e estão em conformidade com as seguintes normas:

CE-EMC:

EN 61326-1:2021 EN 61326-2-2:2021

Emissão: CISPR 11:2015 + A1:2010 + A2:2019, classe B

Imunidade: IEC 61000-4-2:2008

IEC 61000-4-3:2020

IEC 61000-4-8:2009

RED-EMC:

DIRETIVA DE EQUIPAMENTOS DE RÁDIO 2014/53/UE

EN 301489-1 V2.1.1 :2017-02, EN 301489-17 V3.1.1 :2017-02

RED-RF:

EN 300328 V2.1.1 :2016-11

RED-EMF:

EN 62479 :2010, EN 62311 :2008

RED-LVD:

DIRETIVA DE BAIXA TENSÃO DA UNIÃO EUROPEIA 2014/35/EU

EN 60950-1 :2006/A11 :2009/A1 :2010/A12 :2011/A2 :2013

**Padrões de laser:** 21 CFR, ch 1-J

**WEEE:** Diretiva europeia 2012/19/EU

**RoHS:** DIRETIVA RoHS (UE) 2015/863

**Requisitos CE:** Certificado CE

Houten, Holanda, Fevereiro 2025



Guillaume Dubois

Gerente de Qualidade e Conformidade



## 1. Introdução

O SKF TKTL 31 é um instrumento portátil, leve e multifuncional para medir temperaturas à distância, com segurança. Basta apontar o aparelho e acionar o gatilho para que a temperatura seja mostrada no display. É possível também medir temperaturas por contato, usando o sensor fornecido.

Este aparelho com vários recursos oferece ainda a facilidade de armazenar valores medidos, tais como Máximo, Mínimo, Diferença, Média, Alarme de nível alto, Alarme de nível baixo e Configuração de emissividade.

## 2. Início rápido

1. Basta apontar o termômetro para o ponto de medição com a Lente (8) e pressionar a tecla Medir (6) para ler a temperatura da superfície.
2. A relação distância-ponto é de 75:1.  
Os dois pontos gerados pelo laser são uma referência para o tamanho do ponto visado.  
Verifique se a área visada está dentro do campo de visão.

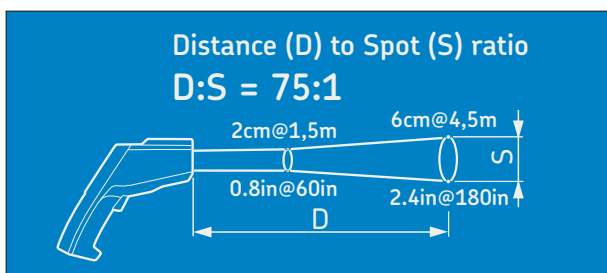
## 3. Recursos

- Display LCD preto e branco, retroiluminado
- Dois pontos de laser
- Sensor termopar tipo K
- Emissividade ajustável
- Alta precisão
- Breve tempo de resposta
- Relação distância-ponto de 75:1

Quanto maior a distância (D) em relação ao objeto, maior será o tamanho do ponto (S) na área medida pelo TKTL 31.

A relação entre distância e cada unidade está listada abaixo.

O tamanho do ponto indica 90% de energia medida.

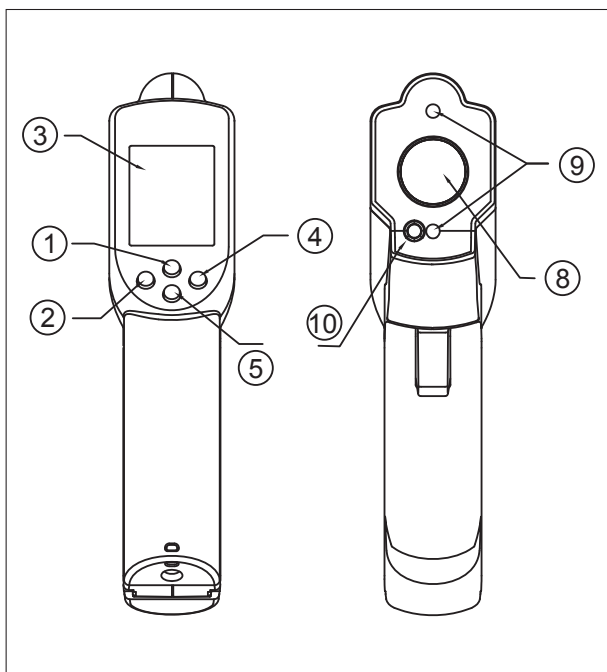


## 4. Dados técnicos

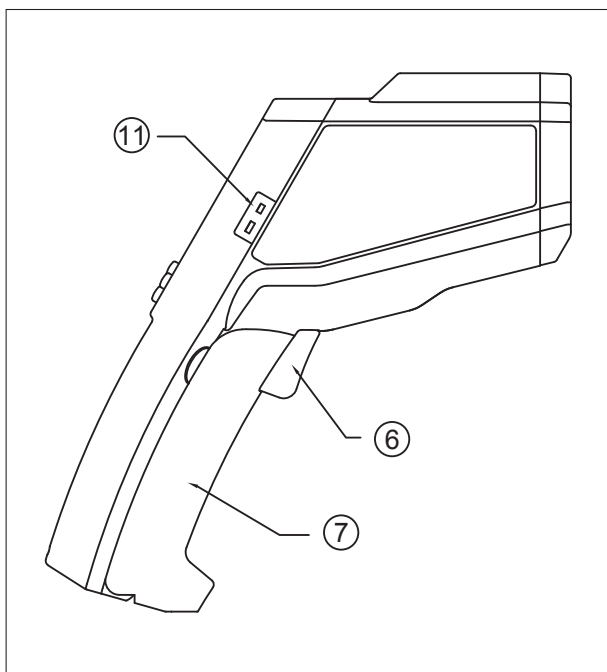
|   |  |
|---|--|
| <b>Designação</b>                                 | <b>TKTL 31</b>   |
| <b>Faixa de temperaturas</b>                      |  |
| Medição por infravermelho                         | -60 a 1 600 °C (-76 a 2 912 °F)  |
| Com o uso do sensor                               | -64 a 1 400 °C (-83,2 a 2 552 °F)  |
| Sensor fornecido                                  | TMDT 2-30, indicado para uso até 900 °C (1 650 °F)                                 |
| Tipos de sensores adequados                       | Sensores tipo K  |
|   |  |
| <b>Precisão de fundo de escala</b>                |  |
| Tamb = 25 °C                                      | Tobj = 15 a 35 °C, ± 1.0 °C (1.8 °F)   |
| Tamb = 23 ± 3 °C                                  | Tobj = 0 a 1 600 °C, ±2% de leitura ou 2 °C (4 °F), o que for maior                |
| Tamb = 23 ± 3 °C                                  | Tobj = -60 a 0 °C, ± (2 + 0,05/°) °C   |
| Tamb = 23 ± 6 °C                                  | Com o uso de sensor: , ±1% da leitura ou 1 °C (1.8 °F), o que for maior            |
| Tempo de resposta                                 | 1 s  |
| Óptica  | Permite detectar energia transmitida, emitida e refletida.                         |
| Relação distância-ponto                           | 75:1   |
| Resposta espectral                                | 8–14 µm  |
| Variável de emissividade                          | 0.1-1.0  |
| Laser   | Classe 2   |
| Potência máxima do laser                          | 1 mW   |
| Ponteiros de laser                                | 2 pontos de laser  |
| Comprimento de onda do laser                      | 635 a 660 nm   |
|   |  |
| <b>Display</b>                                    |  |
| Display   | Display LCD preto e branco, retroiluminado   |
| Resolução exibida                                 | 0.1 °C/F de -83.2 a 999.9; caso contrário, 1 °C/F                                  |
|   |  |
| <b>Controles</b>                                  |  |
| Botões  | 4 botões e 1 gatilho<br>Operação conforme as instruções de uso                     |
| Display retroiluminado selecionável pelo usuário  | Sim; permite ligar/desligar  |
| Ponteiros de laser selecionáveis pelo usuário (2) | Sim; permite ligar/desligar  |
| Modos de medição                                  | Temperatura máxima, mínima, média, diferencial e dupla (por sensor/ infravermelho) |
| Modos de alarme                                   | Alarme de níveis alto e baixo com aviso sonoro                                     |
|   |  |
| <b>Dimensões</b>                                  |  |
| Unidade   | 203 × 197 × 47 mm<br>(8.0 × 7.7 × 1.8 in)  |
| Dimensões da maleta de transporte do TL1          | 530 × 85 × 180 mm<br>(20.9 × 3.4 × 7.0 in)   |
| Peso (incluindo a maleta)                         | 1 300 g (2.87 lb)  |
|   |  |

|                                   |  |
|-----------------------------------|--|
| <b>Designação</b>                 | <b>TKTL 31</b>   |
| <b>Pilhas</b>                     |  |
| Tipo                              | 2 pilhas AAA alcalinas, tipo IEC LR03  |
| Tempo de operação                 | 180 horas (típico), ou 140 horas (mínimo) de uso contínuo, sem o laser e a retroiluminação |
| Desligamento automático           | Automático, 60 s após a liberação do gatilho   |
| Modo de sensor                    | Automático, após 12 minutos  |
|                                   |  |
| <b>Características ambientais</b> |  |
| Temperatura de operação           | 0 a 50 °C (32 to 122 °F)<br>10 a 95% de umidade relativa                                   |
| Temperatura de armazenamento      | - 10 a 60 °C (14 to 140 °F)<br>10 a 95% de umidade relativa                                |

## 5. Descrição do painel frontal e dos botões

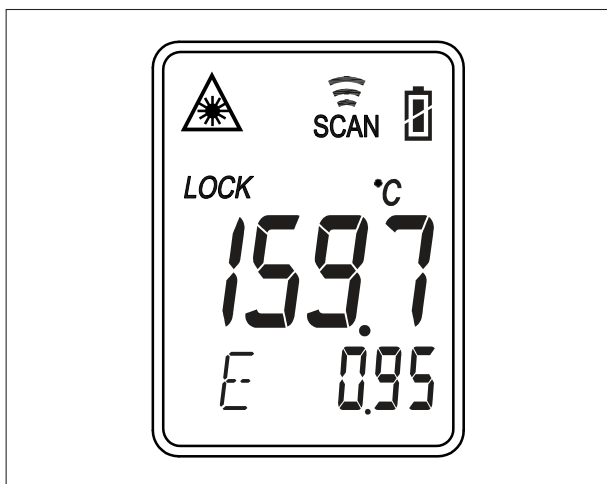


| Item | Descrição                         |
|------|-----------------------------------|
| 1    | Tecla de emissividade             |
| 2    | Tecla Abaixo (rolagem para baixo) |
| 3    | LCD                               |
| 4    | Tecla Acima (rolagem para cima)   |
| 5    | Tecla de modo                     |
| 8    | Lente da luz infravermelha        |
| 9    | Laser                             |
| 10   | LED                               |



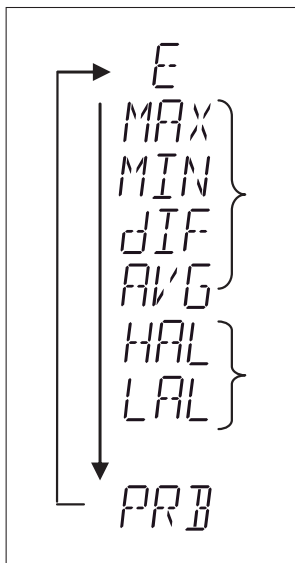
| Item | Descrição                         |
|------|-----------------------------------|
| 6    | Tecla de medição                  |
| 7    | Tampa do compartimento das pilhas |
| 11   | Soquete do termopar               |

## 6. Visão geral do display



*Tela padrão*

## 7. Visão geral do menu



- Pressione a tecla Emissividade (1) para definir a emissividade  
 $\blacktriangle E \blacktriangledown$
  - Pressione a tecla Emissividade (1), seguida pela tecla Acima (4) ou Abaixo (2), para definir a emissividade; em seguida, pressione a tecla Modo (5) para confirmar. A emissividade pode ser configurada entre 0,10 (10E) e 1 (100E).
  - Pressione a tecla Modo (5) para fazer a rolagem de mais funções na tela, como se vê abaixo. Aqui irão aparecer os dados de emissividade. (A emissividade padrão é 0,95).
- 
- Pressione a tecla Modo (5) para alternar entre os modos Máxima (MAX), Mínima (MIN), Diferença entre MAX e MIN (DIF) e Média (AVG). Durante a medição, a leitura dos modos especiais será exibida ao lado do ícone de modo.
  - Pressione a tecla Acima (4) ou Abaixo (2) para selecionar entre Alarme de nível alto (HAL) e Alarme de nível baixo (LAL); em seguida, pressione a tecla Medir (6) para confirmar. Quando a leitura estiver fora do limite de Alarme de nível alto (HAL) ou Alarme de nível baixo (LAL), o ícone de nível alto ou baixo irá piscar e será emitido um alerta sonoro.
  - Conecte o termopar ao seu soquete (11) e aponte/aplique o sensor no ponto desejado; o termômetro exibirá a temperatura automaticamente, dispensando o uso dos botões. Para ver os dados mínimos ou máximos durante a medição com sensor, mantenha a tecla Acima (4) ou Abaixo (2) pressionada.

### CUIDADO:

- Após medir temperaturas elevadas, o sensor poderá permanecer QUENTE por algum tempo.
- \*\* O termômetro será desligado automaticamente se ficar inativo por mais de 60 segundos, a menos que esteja no modo PRB. (No modo PRB, ele será desligado ao ficar inativo por mais de 12 minutos).

## 8. Configurações de medição

- Nos modos MAX, MIN, DIF, AVG:  
Pressione a tecla Acima (4) para ativar/desativar o modo de BLOQUEIO (LOCK).  
O modo de bloqueio é particularmente útil para monitoramento contínuo de temperaturas por até 60 minutos.
- Pressione a tecla Abaixo (3) para alternar entre °C e °F.
- Em todos os modos: Retenha primeiro a tecla Medir (6) e pressione a tecla Acima (4) para ativar/desativar a função de retroiluminação; e pressione a Abaixo (2) para ativar/desativar a função de laser. (No caso de lanterna ligada juntamente com o laser).

## 9. Manutenção

### 9.1 Armazenamento e limpeza

O aparelho deve ser armazenado em temperatura ambiente. A lente do sensor é a peça mais delicada do termômetro. Mantenha a lente sempre limpa; limpe-a com cuidado, usando apenas um pano macio ou um cotonete embebido em água ou álcool medicinal, permitindo que seque completamente antes de usar o termômetro. Evite submergir qualquer peça do termômetro.

### 9.2 Mensagens de erro do LCD

O termômetro inclui mensagens visuais de diagnóstico, da seguinte maneira: "Hi" ou "Low" aparece quando a temperatura medida está fora das configurações HAL e LAL.

"Er2" aparece quando o termômetro é exposto a mudanças rápidas de temperatura ambiente.

"Er3" aparece quando a temperatura ambiente excede 0 °C (32 °F) ou +50 °C (122 °F). Deve-se dar ao termômetro tempo suficiente (mínimo de 30 minutos) para estabilizar à temperatura de trabalho/ambiente.

Erro 5 a 9: para todas as outras mensagens de erro, é necessário aplicar um reset ao termômetro. Para isso, desligue o instrumento, remova as pilhas e aguarde ao menos um minuto; em seguida reinstale as pilhas e ligue-o novamente. Se a mensagem de erro persistir, entre em contato com a SKF para obter assistência adicional.

"Hi" ou "Lo" aparece quando a temperatura medida está fora da faixa de medição.

### 9.3 Pilhas

O termômetro inclui a indicação visual de pilhas fracas, como se vê a seguir:

- "Pilhas OK": é possível realizar medições.
- "Pilhas fracas": é preciso trocar as pilhas, mas ainda é possível realizar medições.
- "Pilhas esgotadas": não é mais possível realizar medições.

Quando o ícone de pilhas fracas indicar que as pilhas estão quase esgotadas, elas deverão ser trocadas imediatamente por novas pilhas AAA de 1,5 V.

**Observação:** É importante desligar o instrumento antes de trocar as pilhas; caso contrário, o termômetro poderá apresentar falha. Descarte as pilhas usadas imediatamente e mantenha-as fora do alcance de crianças.

Caso não vá utilizar o aparelho por um longo período, desligue-o e remova as pilhas, guardando-as em um local frio e seco.

#### NOTA:

- Sob um campo eletromagnético de 3 V/m, entre 90 e 360 MHz e entre 1 e 6 GHz, o erro máximo é de 10 °C (18 °F).

## 10. Notas

### Como funciona o infravermelho?

Termômetros por infravermelho medem a temperatura da superfície dos objetos. O sistema óptico da unidade detecta energia transmitida, emitida e refletida, que é coletada e focada em um sensor.

Os componentes eletrônicos da unidade convertem as informações em uma leitura de temperatura, que é exibida em seu display.

O laser é usado apenas para direcionar corretamente o aparelho.

- **Campo de visão**

Veja se a superfície a medir é maior que o tamanho do ponto da unidade.

Quanto menor a superfície, mais próximo dela você deverá ficar.

Quando a precisão for crítica, veja se a superfície a medir é ao menos duas vezes maior que o tamanho do ponto.

- **Distância e tamanho do ponto**

Quanto maior a distância (D) até o objeto, maior será o tamanho do ponto (S) na área medida pela unidade.

Veja a figura no início deste manual.

- **Como localizar um "ponto quente"**

Para encontrar um "ponto quente", aponte o termômetro para fora da área de interesse e, em seguida, faça uma varredura com movimentos para cima e para baixo, até localizar esse ponto.

- **Lembretes**

- Não use a unidade para medir superfícies metálicas brilhantes ou polidas (aço inoxidável, alumínio etc.).

- Veja o item abaixo sobre Emissividade.

- A unidade não é capaz de medir através de superfícies transparentes, como vidro.

- Ela medirá a temperatura da superfície do vidro.

- Vapor, poeira, fumaça etc., podem impedir medições precisas ao obstruir o sensor óptico da unidade.

- **Emissividade**

Emissividade é um termo usado para descrever as características de emissão de energia dos materiais.

A maioria (90% das aplicações típicas) dos materiais orgânicos e superfícies pintadas ou oxidadas exibem uma emissividade de 0,95 (predefinida na unidade).

Leituras imprecisas podem ocorrer ao se medir superfícies metálicas brilhantes ou polidas. Para resolver o problema, cubra a superfície a ser medida com fita crepe para pintura ou tinta preta. Aguarde então algum tempo, para que a fita atinja a mesma temperatura do material abaixo dela.

Por fim, meça a temperatura da fita ou da superfície pintada.

## 11. Tabela de emissividade

| Substância | Emissividade térmica | Substância       | Emissividade térmica |
|------------|----------------------|------------------|----------------------|
| Asfalto    | 0.90 a 0.98          | Pano (preto)     | 0.98                 |
| Concreto   | 0.94                 | Pele humana      | 0.98                 |
| Cimento    | 0.96                 | Couro            | 0.75 a 0.80          |
| Areia      | 0.90                 | Carvão (em pó)   | 0.96                 |
| Terra      | 0.92 a 0.96          | Laca             | 0.80 a 0.95          |
| Água       | 0.92 a 0.96          | Laca (mate)      | 0.97                 |
| Gelo       | 0.96 a 0.98          | Borracha (preta) | 0.94                 |
| Neve       | 0.83                 | Plástico         | 0.85 a 0.95          |
| Vidro      | 0.90 a 0.95          | Madeira          | 0.90                 |
| Cerâmica   | 0.90 a 0.94          | Papel            | 0.70 a 0.94          |
| Mármore    | 0.94                 | Óxido de cromo   | 0.81                 |
| Gesso      | 0.80 a 0.90          | Óxidos de cobre  | 0.78                 |
| Argamassa  | 0.89 a 0.91          | Óxidos de ferro  | 0.78 a 0.82          |
| Tijolo     | 0.93 a 0.96          | Têxteis          | 0.90                 |

## 12. Peças de reposição

| Designação | Descrição  |
|------------|--|
| TMDT 2-30  | Sonda de contato   |
| TDTC 1/X   | Maleta de ferramentas sem compartimentos internos, tamanho X |



## Содержание

|   |    |
|---|----|
| Рекомендации по безопасности .....          | 87 |
| Декларация соответствия нормам ЕС.....      | 88 |
| 1. Введение .....                           | 89 |
| 2. Краткое руководство .....                | 89 |
| 3. Характеристики .....                     | 89 |
| 4. Технические характеристики .....         | 90 |
| 5. Передняя панель и описание кнопок.....   | 92 |
| 6. Дисплей.....                             | 94 |
| 7. Меню .....                               | 94 |
| 8. Настройки измерений .....                | 96 |
| 9. Обслуживание.....                        | 96 |
| 9.1 Хранение и очистка .....                | 96 |
| 9.2 Сообщения об ошибках на ЖК-дисплее..... | 97 |
| 9.3 Аккумуляторные батареи.....             | 97 |
| 10. Примечания .....                        | 98 |
| 11. Таблица коэффициентов излучения .....   | 99 |
| 12. Запасные части.....                     | 99 |



## Рекомендации по безопасности

- Следует прочитать и соблюдать инструкции по эксплуатации.
- Запрещается смотреть на источник лазера. Изделие с лазером Класса II.
- Запрещается направлять лазерный луч в глаза.
- Запрещается разбирать устройство.
- Запрещается использовать устройство в условиях дождя или очень высокой влажности.
- Это устройство не предназначено для использования в искробезопасных зонах.
- Все ремонтные работы должны проводиться ремонтной службой SKF.
- Ниже приведена таблица с наименованием опасных веществ и указанием их содержания в устройстве ТКТЛ 31:

| Компонент       | Опасные вещества |       |        |           |                            |                                 |
|-----------------|------------------|-------|--------|-----------|----------------------------|---------------------------------|
|                 | Свинец           | Ртуть | Кадмий | Хром (VI) | Полибромированные бифенилы | Полибромированные дифенил эфиры |
|                 | (Pb)             | (Hg)  | (Cd)   | (Cr(VI))  | (PBV)                      | (PBDE)                          |
| Лазерный модуль | x                | •     | •      | •         | •                          | •                               |

Эта таблица подготовлена в соответствии с положениями стандарта SJ/T11364.

- : Указывает, что содержание упомянутого опасного вещества во всех однородных материалах этого компонента не превышает ограничивающих требований стандарта GB/T 26572.
- x : Указывает, что данное опасное вещество, содержащееся, по меньшей мере, в одном из однородных материалов, используемых для этого компонента, превышает ограничивающее требование стандарта GB/T 26572.

## Декларация соответствия нормам ЕС TKTL 31

Мы, SKF MPT, Meidoornkade 14, 3992 AE Houten, The Netherlands (Нидерланды) настоящим подтверждаем, что продукция, описанная в данной инструкции по эксплуатации, соответствует условиям следующей директивы (директив):

ДИРЕКТИВА EMC 2014/30/EU

и соответствует следующим стандартам:

CE-EMC:

EN 61326-1:2021 EN 61326-2-2:2021

Уровень излучения: CISPR 11:2015 + A1:2010 + A2:2019, Class B

Помехоустойчивость: IEC 61000-4-2:2008

IEC 61000-4-3:2020

IEC 61000-4-8:2009

RED-EMC:

ДИРЕКТИВА EMC 2014/53/EC

EN 301489-1 V2.1.1 :2017-02, EN 301489-17 V3.1.1 :2017-02

RED-RF:

EN 300328 V2.1.1 :2016-11

RED-EMF:

EN 62479 :2010, EN 62311 :2008

RED-LVD:

ЕВРОПЕЙСКАЯ ДИРЕКТИВА 2014/35/EU ПО НИЗКОВОЛЬТНОМУ  
ОБОРУДОВАНИЮ

EN 60950-1 :2006/A11 :2009/A1 :2010/A12 :2011/A2 :2013

**Стандарты для лазера:** 21 CFR, ch 1-J

**WEEE:** Европейская директива 2012/19/EU

**RoHS:** ДИРЕКТИВА RoHS (EU) 2015/863

**Требования CE:** Сертификат CE

Хаутен, Нидерланды, Февраль 2025 г.



Guillaume Dubois

Руководитель отдела контроля и гарантии качества



## 1. Введение

SKF TKTL 31 — это портативное, лёгкое и многофункциональное устройство для безопасного измерения температуры на расстоянии.

Наведите его на объект, нажмите на кнопку запуска измерения, и температура будет показана на дисплее. Пользователь может также измерить температуру контактным способом с помощью термопары, поставляемой в комплекте с устройством.

Расширенная функциональность этого устройства позволяет сохранять измеренные значения максимум (Maximum), минимум (Minimum), разность (Difference), среднее (Average), а также настраивать предупреждение о выходе за верхний предел (High Alarm), предупреждение о выходе за нижний предел (Low Alarm), коэффициент излучения (Emissivity).

## 2. Краткое руководство

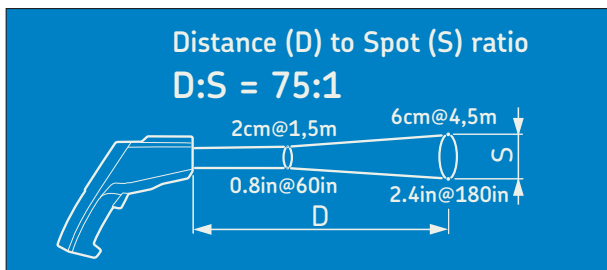
1. Просто наведите линзу (8) термометра на объект измерения и нажмите кнопку запуска измерения (6) для отображения температуры на поверхности.
2. Отношение расстояния до объекта к диаметру пятна зоны измерения температуры составляет 75:1.  
Размер пятна на объекте измерения указывается с помощью двух точек лазерного целеуказателя.  
Убедитесь, что целевой участок находится в поле зрения.

## 3. Характеристики

- Чёрно-белый ЖК-дисплей с подсветкой
- 2 точки лазерного указателя
- Термопара типа К
- Регулируемый коэффициент излучения
- Высокая точность
- Высокое быстродействие
- Отношение расстояния до объекта к диаметру пятна зоны измерения температуры 75:1

По мере увеличения расстояния (D) до объекта увеличивается и размер пятна (S) на поверхности, температура которой измеряется с помощью TKTL 31.

Соотношение между расстоянием и диаметром зоны пятна измерения показано ниже. Размер пятна указывает на 90 % измеряемой энергии.

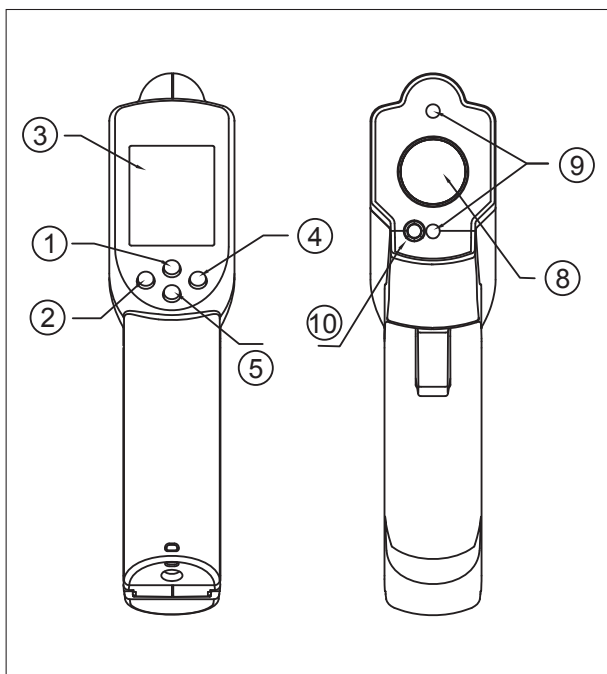


## 4. Технические характеристики

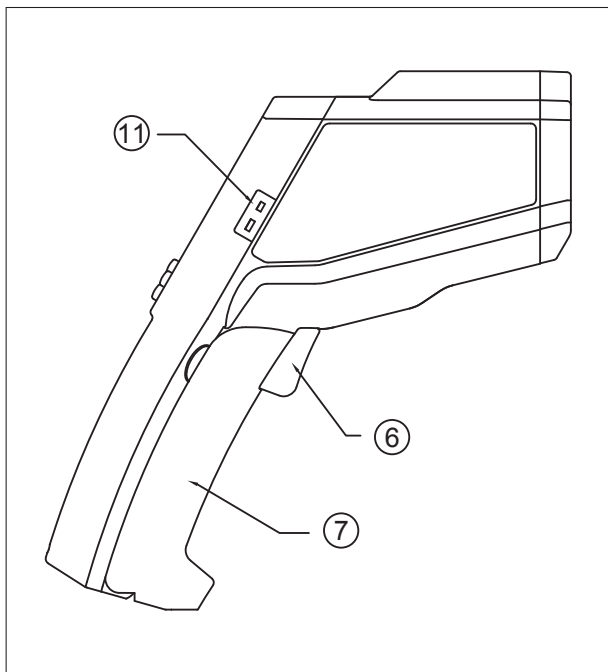
|  |   |
|--|---|
| <b>Обозначение</b>                                     | <b>TKTL 31</b>  |
| <b>Диапазон температур</b>                             |   |
| Измерение в инфракрасном режиме                        | от -60 до +1 600 °C   |
| Использование термопары                                | от -64 до +1 400 °C   |
| Термопара, поставляемая в комплекте                    | TMDT 2-30, подходит для измерения температур до 900 °C  |
| Подходящие типы термопар                               | Термопары типа К  |
| <b>Погрешность в полном диапазоне измерения</b>        |   |
| Токр. среды = 25 °C                                    | Тобъекта = от 15 до 35 °C, +/- 1,0 °C   |
| Токр. среды = 23 +/- 3 °C                              | Тобъекта = от 0 до 1 600 °C, +/- 2 % от показания или 2 °C, в зависимости от того, что больше |
| Токр. среды = 23 +/- 3 °C                              | Тобъекта = от -60 до 0 °C, +/- (2 + 0,05/°) °C  |
| Токр. среды = 23 +/- 6°C                               | С термопарой: +/- 1 % от значения или 1 °C, в зависимости от того, что больше                 |
| Время отклика  | 1 с   |
| Оптика   | Улавливает излучённую, отражённую и переданную энергию.                                       |
| Отношение длины луча к диаметру измеряемого пятна      | 75:1  |
| Спектральная чувствительность                          | 8 -14 мкм   |
| Настраиваемый коэффициент излучения                    | 0,1-1,0   |
| Лазер  | Класс 2   |
| Максимальная мощность лазера                           | 1 мВт   |
| Лазерный указатель                                     | 2 точки лазера  |
| Длина волны лазера                                     | 635-660 нм  |
| <b>Дисплей</b>   |   |
| Дисплей  | Чёрно-белый ЖК-дисплей, с подсветкой  |
| Разрешение отображения                                 | 0,1 °C/F от -83,2 до ~999,9; либо 1 °C/F  |
| <b>Управление</b>                                      |   |
| Кнопки   | 4 кнопки и 1 кнопка запуска измерения. Функционал указан в руководстве                        |
| Подсветка дисплея, настраиваемая пользователем         | Да, Вкл./Выкл.  |
| Настраиваемый пользователем лазерный целеуказатель (2) | Да, Вкл./Выкл.  |
| Режимы измерений                                       | Максимум, минимум, среднее значение, разность, термопара/ИК двойной                           |
| Режимы сигнализации                                    | Верхний и нижний пределы срабатывания звуковой сигнализации                                   |
| <b>Размеры</b>   |   |
| Устройство   | 203 × 197 × 47 мм   |
| Размеры кейса для переноски TL1                        | 530 × 85 × 180 мм   |
| Вес (включая кейс)                                     | 1 300 г   |

|                               |   |
|-------------------------------|---|
| <b>Обозначение</b>            | <b>TKTL 31</b>  |
| <b>Аккумуляторные батареи</b> |   |
| Тип                           | 2 щелочных элемента AAA типа IEC LR03   |
| Время работы                  | прибл. 180 часов, мин. 140 часов непрерывной работы при включённом лазере и подсветке |
| Автоматическое отключение     | Автоматическое, через 60 с после отпускания кнопки запуска измерения                  |
| Режим термопары               | Автоматическое, через 12 минут  |
|                               |   |
| <b>Условия окр. среды</b>     |   |
| Рабочая температура           | от 0 до 50 °C<br>от 10 до 95 % отн. влажности   |
| Температура хранения          | от -10 до 60 °C<br>от 10 до 95 % отн. влажности                                       |

## 5. Передняя панель и описание кнопок

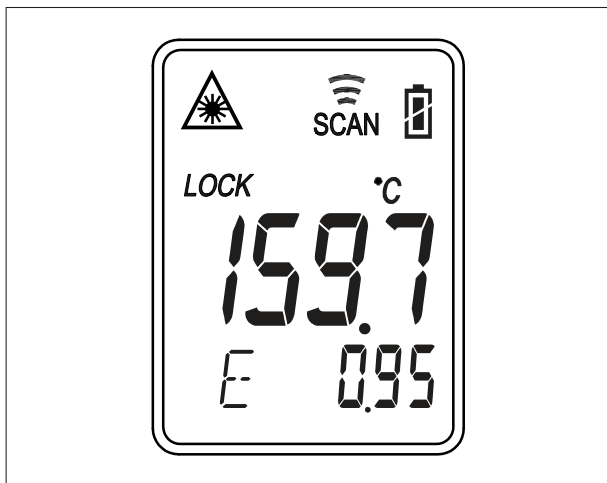


| Позиция | Описание                         |
|---------|----------------------------------|
| 1       | Кнопка настройки коэф. излучения |
| 2       | Вниз                             |
| 3       | ЖК-дисплей                       |
| 4       | Вверх                            |
| 5       | Кнопка выбора режима             |
| 8       | ИК-линза                         |
| 9       | Лазер                            |
| 10      | Светодиод                        |



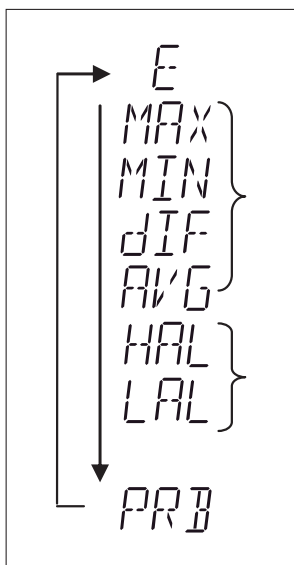
| Элемент | Описание                  |
|---------|---------------------------|
| 6       | Кнопка запуска измерения  |
| 7       | Крышка батарейного отсека |
| 11      | Гнездо для термомпары     |

## 6. Дисплей



Дисплей по умолчанию

## 7. Меню



- Нажмите кнопку настройки коэф. излучения (1) для настройки этого параметра  $\wedge E \vee$
- Нажмите кнопку настройки коэф. излучения (1), затем нажмите кнопку Вверх (4) или Вниз (2) для настройки коэффициента излучения, затем нажмите кнопку выбора режима (5) для подтверждения. Коэффициент излучения может быть изменён в пределах от 0,10 (10E) до 1,0 (100E).

- Нажмите кнопку выбора режима (5) для прокрутки функций на дисплее. Здесь будут отображены данные о коэффициенте излучения. (Значение коэффициента излучения по умолчанию составляет 0,95).

- Нажмите кнопку выбора режима (5) для переключения между режимами Максимум (MAX), Минимум (MIN), Разность между MAX и MIN (DIF) и Среднее (AVG). Во время измерения показание специальных режимов будет отображаться рядом со значком соответствующего режима.
- Нажмите кнопку Вверх (4) или Вниз (2) для изменения предельных значений High Alarm (HAL) или Lo Alarm (LAL), а затем нажмите кнопку запуска измерения (6) для подтверждения. Когда показание выходит за границы диапазона, ограниченного предельными значениями High Alarm (HAL) или Lo Alarm (LAL), будет мигать значок High или Low, а также вы услышите звуковой сигнал.
- Подключите термopару к гнезду (11) для термopары и приложите/введите датчик в объект измерения, при этом термометр будет отображать температуру автоматически, без нажатия каких-либо кнопок. Чтобы увидеть данные о минимуме или максимуме, полученные во время измерений с помощью термopары, следует нажать и удерживать кнопку Вверх (4) или Вниз (2).

#### **ПРЕДУПРЕЖДЕНИЕ:**

- После измерения высокой температуры термopара может оставаться ГОРЯЧЕЙ в течение некоторого времени.
- \*\* Термометр автоматически отключается, если в течение 60 секунд не происходит каких-либо действий, исключение составляет режим термopары (PRB). (В режиме PRB термометр отключается, если никаких действий не происходит в течение 12 минут).

## 8. Настройки измерений

- В режиме MAX, MIN, DIF, AVG:  
Нажмите кнопку Вверх (4) для включения/выключения режима блокировки (LOCK).  
Режим блокировки особенно удобен для непрерывного мониторинга температуры в течение периода длительностью до 60 минут.
- Для переключения между °C и °F следует нажать кнопку Вниз (3).
- Во всех режимах: Сначала нажмите и удерживайте кнопку запуска измерения (6), нажмите кнопку Вверх (4) для включения/выключения подсветки, нажмите кнопку Вниз (2) для включения/выключения лазерного целеуказания. (Фонарик для подсветки будет включаться одновременно с лазерным целеуказанием).

## 9. Обслуживание

### 9.1 Хранение и очистка

Устройство необходимо хранить при комнатной температуре. Наиболее чувствительный компонент устройства — линза датчика. Линза всегда должна быть чистой. При её очистке следует соблюдать осторожность, используя только мягкую ткань или ватный диск, смоченный водой или медицинским спиртом. Перед использованием термометра нужно убедиться, что линза полностью высохла. Не допускается погружение в жидкость какой-либо части термометра.

## 9.2 Сообщения об ошибках на ЖК-дисплее

В термометре предусмотрена функция предупреждающих диагностических сообщений:  
если измеренная температура выходит за пределы настроек HAL и LAL, выводятся сообщения «Hi» или «Lo»;

Когда термометр подвергся воздействию быстрого изменения температуры окружающей среды, отображается сообщение «Eг2».

Сообщение «Eг3» отображается, когда превышены допустимые пределы температуры окружающей среды 0 °C или +50 °C. Для стабилизации температуры самого термометра в условиях помещения / рабочей среды требуется некоторое время (минимум 30 минут).

Ошибки 5–9: при появлении всех прочих сообщений об ошибке необходимо выполнить сброс термометра. Для этого следует выключить устройство, извлечь из него аккумуляторную батарею и подождать как минимум одну минуту, после чего можно вставить аккумулятор на место и включить устройство. Если сообщение об ошибке сохраняется, обратитесь в техническую службу SKF для получения консультации.

Если измеренная температура выходит за пределы диапазона измерения, выводятся сообщения «Hi» или «Lo».

## 9.3 Аккумуляторные батареи

В термометре предусмотрена функция визуальной индикации низкого уровня заряда:

- Нормальный заряд батареи (Battery OK):  
нормальный режим измерений.
- Низкий уровень заряда батареи (Battery Low):  
следует заменить батарею, выполнение измерений все ещё возможно.
- Очень низкий заряд батареи (Battery Exhausted):  
выполнение измерений невозможно.

При индикации Battery Low следует немедленно заменить элементы питания AAA 1,5 В.

**Примечание:** Перед заменой элементов питания необходимо выключить устройство, в противном случае может произойти сбой в его работе. Необходимо обеспечить надлежащую утилизацию отработанных аккумуляторных батарей.

Если устройство не будет использоваться в течение длительного периода, следует выключить его, извлечь из него батареи и поместить их на хранение в прохладном сухом месте.

### ВНИМАНИЕ

- В условиях напряжённости электромагнитного поля величиной 3 В/м и частотой от 90 до 360 МГц и 1 до 6 ГГц максимальная погрешность составляет 10 °C.

## 10. Примечания

### Как работает инфракрасный термометр?

Инфракрасные термометры измеряют температуру поверхности объекта. Оптика устройства улавливает и фокусирует на детекторе излучённую, отражённую и переданную энергию. Электроника устройства преобразует информацию в значения температуры, которые отображаются на дисплее устройства. Лазер используется только для целеуказания.

- **Область измерения температуры**

Убедитесь, что объект больше размера пятна области измерения температуры. Чем меньше объект, тем ближе к нему следует находиться. Когда точность измерения имеет решающее значение, убедитесь, что объект больше размера пятна как минимум в два раза.

- **Расстояние до объекта и размер пятна области измерения температуры**

По мере увеличения расстояния ( $D$ ) до объекта увеличивается и размер пятна области измерения ( $S$ ) на поверхности, температура которой измеряется. См. иллюстрацию в начале данного руководства.

- **Обнаружение горячей зоны**

Для обнаружения горячей зоны наведите термометр за пределы интересующей вас области, а затем сканируйте поверхность вверх и вниз, пока не найдёте горячее пятно.

- **Напоминания**

- Не используйте устройство для измерения температуры на блестящих или полированных металлических поверхностях (нержавеющая сталь, алюминий и т. д.). См. раздел «Коэффициент излучения».
- Устройство не способно измерить температуру объекта через прозрачные поверхности, например, через стекло. В такой ситуации он будет измерять температуру стекла, а не поверхности объекта.
- Наличие пара, пыли, дыма и т. д. может помешать точным измерениям, создавая помехи для оптики устройства.

- **Коэффициент излучения**

Коэффициент излучения — это показатель, используемый для описания энергоизлучающих характеристик материалов. Большинство (в 90 % случаях применения) органических материалов и окрашенных или окислённых поверхностей имеют коэффициент излучения 0,95 (который предварительно задан в устройстве).

При измерении температуры на блестящих или полированных металлических поверхностях результаты измерений будут неточными. Для компенсации этого эффекта покройте измеряемую поверхность липкой лентой или черной краской. Подождите некоторое время, пока лента достигнет той же температуры измеряемой поверхности. Измерьте температуру ленты или окрашенной поверхности.

## 11. Таблица коэффициентов излучения

| Материал              | Коэффициент излучения | Материал        | Коэффициент излучения |
|-----------------------|-----------------------|-----------------|-----------------------|
| Асфальт               | от 0,90 до 0,98       | Ткань (чёрная)  | 0,98                  |
| Бетон                 | 0,94                  | Кожа человека   | 0,98                  |
| Цемент                | 0,96                  | Пена            | от 0,75 до 0,80       |
| Песок                 | 0,90                  | Уголь (порошок) | 0,96                  |
| Грунт                 | от 0,92 до 0,96       | Лак             | от 0,80 до 0,95       |
| Вода                  | от 0,92 до 0,96       | Лак (матовый)   | 0,97                  |
| Лёд                   | от 0,96 до 0,98       | Каучук (чёрный) | 0,94                  |
| Снег                  | 0,83                  | Пластик         | от 0,85 до 0,95       |
| Стекло                | от 0,90 до 0,95       | Древесина       | 0,90                  |
| Керамика              | от 0,90 до 0,94       | Бумага          | от 0,70 до 0,94       |
| Мрамор                | 0,94                  | Оксиды хрома    | 0,81                  |
| Штукатурка            | от 0,80 до 0,90       | Оксиды меди     | 0,78                  |
| Строительные растворы | от 0,89 до 0,91       | Оксиды железа   | от 0,78 до 0,82       |
| Кирпич                | от 0,93 до 0,96       | Текстиль        | 0,90                  |

## 12. Запасные части

| Обозначение | Наименование                         |
|-------------|--------------------------------------|
| TMDT 2-30   | Термопара                            |
| TDTC 1/X    | Общий кейс без содержимого, размер X |



# 目录

|                     |     |
|---------------------|-----|
| 安全需知 .....          | 101 |
| 符合欧盟相关产品条例的声明 ..... | 102 |
| 1. 简介 .....         | 103 |
| 2. 快速启动 .....       | 103 |
| 3. 特点 .....         | 103 |
| 4. 技术参数 .....       | 104 |
| 5. 前面板和按钮说明 .....   | 106 |
| 6. 显示概述 .....       | 108 |
| 7. 菜单概述 .....       | 109 |
| 8. 测量设置 .....       | 110 |
| 9. 维护 .....         | 111 |
| 9.1 储存和清洁 .....     | 111 |
| 9.2 LCD 错误信息 .....  | 111 |
| 9.3 电池 .....        | 111 |
| 10. 注释 .....        | 112 |
| 11. 辐射率表 .....      | 113 |
| 12. 备件 .....        | 113 |



## 安全需知

- 务必阅读并遵循使用说明。
- 切勿直视激光源。二级激光产品。
- 切勿将激光束对准任何人的眼睛。
- 切勿拆开仪器。
- 切勿在下雨或非常潮湿的条件下使用仪器
- 不适用于本质安全区域
- 所有维修工作应由SKF维修店负责。
- 以下是TKTL 31的危险物质名称和浓度表：

| 成分名称 | 有害物质 |     |     |        |        |          |
|------|------|-----|-----|--------|--------|----------|
|      | 铅    | 汞   | 镉   | 六价铬    | 多溴化的联苯 | 多溴化物联苯醚类 |
|      | (铅)  | (汞) | (镉) | (铬(六)) | (PBB)  | (PBDE)   |
| 激光模块 | x    | •   | •   | •      | •      | •        |

该表根据SJ/T11364的规定编制。

- ：表明该部分所有同质材料中所含的上述有害物质低于限值GB/T 26572 要求。
- x：表明至少在用于该部分的同质材料中所含的所述危险物质超过了GB/T 26572 的极限要求。

## 符合欧盟相关产品条例的声明 TKTL 31

我们，SKF MPT，Meidoornkade 14，3992 AE Houten 荷兰 全权负责并申明在所使用说明书中所描述的产品，符合下列“系列”指令要求：  
欧盟电磁兼容指令 EMC DIRECTIVE 2014/30/EU  
并遵从以下标准：

CE/EMC:

EN 61326-1:2021, EN 61326-2-2:2021

辐射：CISPR 11:2015+A1: 2010年+A2: 2019年，B 级

抗扰：IEC 61000-4-2:2008

IEC 61000-4-3:2020

IEC 61000-4-8:2009

RED-EMC:

无线电设备指令 2014/53/EU

EN 301489-1 V2.1.1 :2017-02, EN 301489-17 V3.1.1 :2017-02

RED-RF:

EN 300328 V2.1.1 :2016-11

RED-EMF:

EN 62479 :2010, EN 62311 :2008

RED-LVD:

欧盟低电压指令 2014/35/EU

EN 60950-1 :2006/A11 :2009/A1 :2010/A12 :2011/A2 :2013

激光标准：21 CFR, ch 1-J

WEEE：欧洲指令 2012/19/EU

RoHS：RoHS 指令 (EU) 2015/863

CE 要求：CE 认证

Houten, 荷兰，2025年2月



Guillaume Dubois  
质量和合规经理



## 1. 简介

SKF TKTL 31 是一款便携式、轻便的多功能仪器，用于远距离安全测量温度。

只要瞄准并扣动扳机，屏幕上即可显示温度。用户还可使用提供的探头进行接触式温度测量。

该功能丰富的仪器还具有存储测量值的功能，如最大值、最小值、差值、平均值、高报警、低报警、辐射率设置。

## 2. 快速启动

1. 用镜头 (8) 将温度计对准测量目标，然后按测量键 (6) 显示表面温度。
2. 距离：目标直径 75:1。  
两个激光点是目标点大小的参考。  
请确保目标区域在视野内。

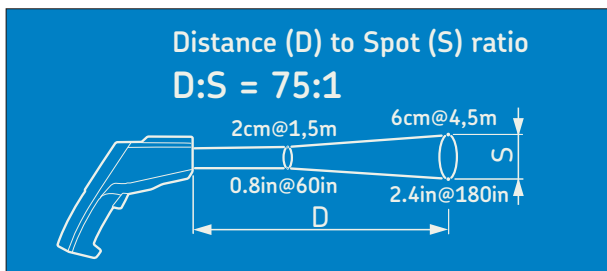
## 3. 特点

- 液晶黑白显示器，背光
- 双激光瞄准
- K 型热电偶探头
- 可调节的辐射率
- 精度高
- 快速响应时间
- DS 比率为 75:1

随着距物体的距离 (D) 增加，由 TKTL 31 测量的目标区域的点尺寸 (S) 将变大。

下面列出了距离和每个单位之间的关系。

点尺寸表示 90% 的能量可以被检测到。

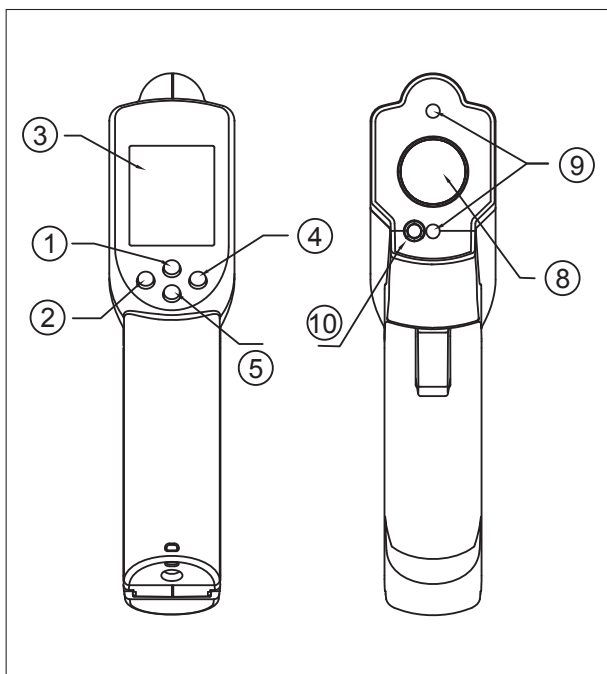


## 4. 技术参数

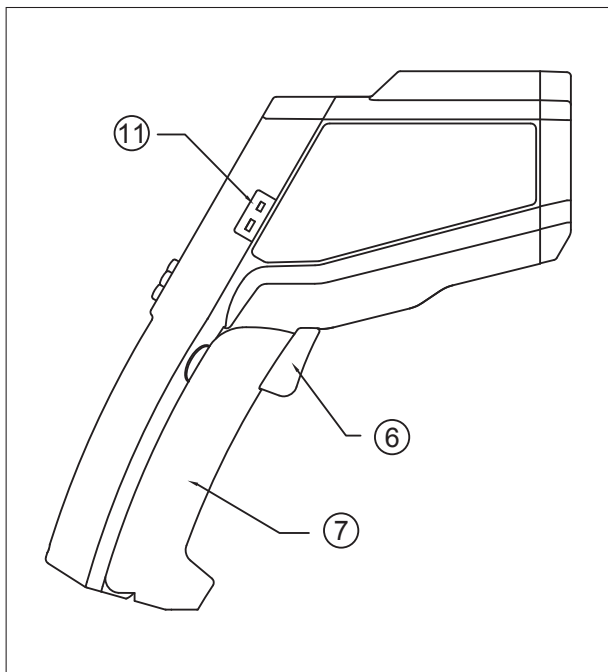
|                   |  |
|-------------------|--|
| 订货号               | <b>TKTL 31</b>                         |
| 温度范围              |  |
| 红外测量              | -60 至 1 600 °C                         |
| 使用探针              | -64 至 1 400 °C                         |
| 提供探头              | TMDT 2-30, 适合使用高达 900 °C               |
| 探头类型              | K 型探头                                  |
| 全量程精度             |  |
| Tamb = 25°C       | Tobj = 15 至 35 °C, +/- 1.0 °C          |
| Tamb = 23 +/- 3°C | Tobj = 0至1600 °C±读数的-2%或2 °C, 取较大值     |
| Tamb = 23 +/- 3°C | Tobj = -60 至 0 °C, +/- (2 + 0.05/°) °C |
| Tamb = 23 +/- 6°C | 带探头: +/- 读数的 1% 或 1°C, 取较大值            |
| 响应时间              | 1秒                                     |
| 光学                | 感知透射、反射和传输的能量。                         |
| 距离距离目标直径比:        | 75:1                                   |
| 光谱响应              | 8-14 μm                                |
| 辐射率变量             | 0.1 -1.0                               |
| 激光                | 2级                                     |
| 最大激光功率            | 1 mW                                   |
| 激光指示器             | 2 个激光点                                 |
| 激光波长              | 635 - 660 nm                           |
|                   |  |
| 显示                |  |
| 显示                | 液晶黑白显示器, 背光                            |
| 显示分辨率             | 从 -83.2 到 999.9的 0.1 °C/F, 否则为 1 °C/F  |
|                   |  |
| 控制装置              |  |
| 按钮                | 4 个按钮和 1 个触发器。<br>参照使用说明               |
| 用户可选择的背光显示器       | 有, 开/关                                 |
| 用户可选激光指示器 (2x)    | 有, 开/关                                 |
| 测量模式              | 最大、最小、平均、差异,<br>探头/红外双温                |
| 报警功能              | 高和低警报级别, 带警报声                          |
|                   |  |
| 尺寸                |  |
| 单位                | 203 × 197 × 47 mm                      |
| TL1 仪器箱尺寸         | 530 × 85 × 180 mm                      |
| 重量 (包括箱子)         | 1 300 g                                |

|      |                                |
|------|--------------------------------|
| 订货号  | TKTL 31                        |
| 电池   |                                |
| 类型   | 2 × AAA 碱性型 LR03               |
| 运行时间 | 典型值 180, 连续使用至少 140 小时, 无激光和背光 |
| 自动关闭 | 触发器释放 60 秒后自动                  |
| 探头模式 | 12 分钟后自动                       |
|      |                                |
| 环境   |                                |
| 工作温度 | 0 至 50 °C<br>10至95%R.H.        |
| 存储温度 | - 10 至60 °C<br>10至95%R.H.      |

## 5. 前面板和按钮说明

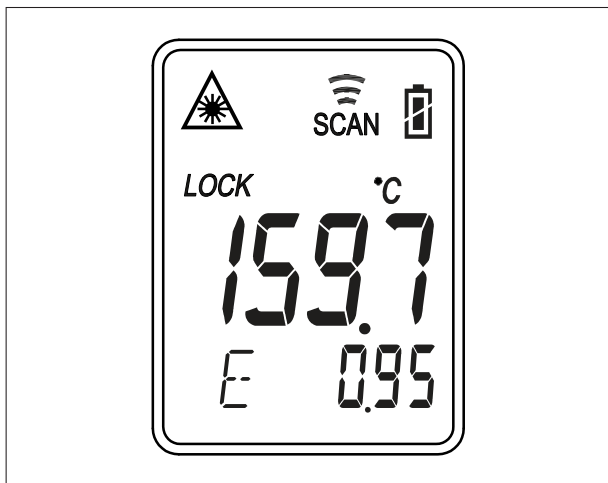


| 项目 | 说明   |
|----|------|
| 1  | 辐射率键 |
| 2  | 向下键  |
| 3  | LCD  |
| 4  | 向上键  |
| 5  | 模式键  |
| 8  | 红外镜头 |
| 9  | 激光   |
| 10 | LED  |



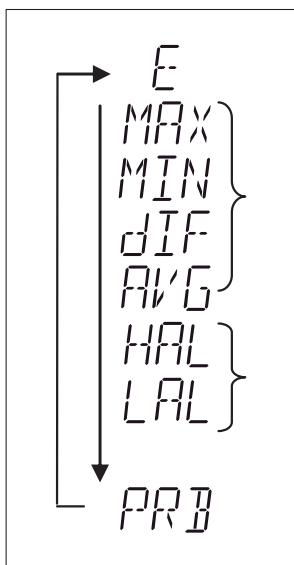
| 项目 | 说明    |
|----|-------|
| 6  | 测量键   |
| 7  | 电池盖   |
| 11 | 热电偶插孔 |

## 6. 显示概述



默认屏幕

## 7. 菜单概述



- 按辐射率键 (1) 用于设置辐射率

$\wedge E \vee$

- 按辐射率键 (1) , 然后按向上键 (4) 或向下键 (2) 设置辐射率, 然后按模式键 (5) 确认。发射率可以从 0.10 (10E) 变化至 1 (100E) 。
- 按模式键 (5) 滚动更多显示功能, 如下所示。这里将显示辐射率数据。(默认辐射率为 0.95)

- 按模式键 (5) 选择最大 (最大)、最小 (最小)、最大和最小 (DIF) 以及平均 (AVG) 模式之间的差异。测量期间, 特殊模式读数将显示在模式图标旁边。
- 按向上键 (4) 或向下键 (2) 更改高报警 (HAL) 或低报警 (LAL), 然后按测量。按键 (6) 确认。当读数超出高报警或低报警限值时。“高”或“低”图标将闪烁, 您将听到蜂鸣声。
- 将热电偶与热电偶插座 (11) 连接, 并将探头放入/放在目标上, 温度计将自动显示温度, 无需按任何按钮。要查看探头测量期间的最小或最大数据, 请按住向上键 (4) 或向下键 (2) 。

### 当心:

- 测量高温后, 探头可能会保持高温一阵子。

\*\* 如果闲置超过 60 秒, 温度计将自动关闭, 除非处于 PRB 模式。(在 PRB 模式下, 如果闲置超过 12 分钟, 它将关闭。)

## 8. 测量设置

- 在最大、最小、DIF、AVG 模式下:  
按向上键 (4) 打开/关闭锁定模式。  
锁定模式对于持续监控温度特别有用, 可以持续显示长达60分钟。
- 按下向下键 (3) 可切换到C或F。
- 在所有模式下: 首先按住测量键 (6)  
按下背光功能开/关的向上键 (4),  
并按下激光功能开/关的向下键 (2)。  
(闪光灯与激光同时开启)

## 9. 维护

### 9.1 储存和清洁

它应该储存在室温下。传感器镜头是温度计最脆弱的部分。透镜应始终保持清洁，仅使用软布或棉签沾水或医用酒精清洁，让透镜在使用温度计前完全晾干。不要浸没温度计的任何部分。

### 9.2 LCD 错误信息

温度计包含如下视觉诊断信息：

当被测温度不在 HAL 和 LAL 设置范围内时，显示“Hi”或“Low”。

当温度计暴露在快速变化的环境温度下时，显示“Er2”。

当环境温度超过，显示“Er3”

0 °C 或 +50 °C。温度计应该是允许足够的时间（至少30分钟）稳定到工作/室温。

错误 5~9，对于所有其他错误信息，有必要重置温度计。要重置它，请关闭仪器，取出电池并等待至少一分钟，重新插入电池并打开。如果错误信息仍然存在，请联系 SKF 寻求进一步帮助。

当被测温度超出测量范围时，显示“Hi”或“Lo”。

### 9.3 电池

温度计包含如下可见的低电量指示：

- “电池正常”：可测量。
- “电池电量不足”：电池需要更换，测量仍然可能。
- “电池耗尽”：测量无法进行。

当“电池电量低”图标指示电池电量低时，应立即用 AAA、1.5V 电池更换电池。

**注意：**更换电池前，务必关闭仪器，否则温度计可能会出现故障。及时处理用过的电池，远离儿童。

如果设备长时间不使用，请关闭电源，取出电池并存放在阴凉干燥的地方。

**注：**

- 在90至360MHz和1至6GHz的3V/m电磁场下，最大误差为10°C。

## 10. 注释

### 红外线是如何工作的？

红外线温度计测量物体的表面温度。该装置的光学传感透射、反射和传输的能量，这些能量被收集并聚焦到探测器上。

该装置电子设备将信息转换成温度读数，并显示在装置上。

激光仅用于瞄准目的。

#### • 视场

确保目标大于装置的光点尺寸。

目标越小，你应该离得越近。

当精确度很关键时，确保目标至少是光点尺寸的两倍。

#### • 距离和光点尺寸

随着与物体的距离（D）增加，以单元测量的区域的光点尺寸（S）变大。

参见本手册开头的图。

#### • 定位热点

要找到热点，将温度计对准目标区域外侧，然后上下移动扫描，直到找到热点。

#### • 提醒

-不要使用该装置测量有光泽或抛光的金属表面（不锈钢、铝等）。见发射率。

-该装置不能通过玻璃等透明表面进行测量。它将测量玻璃的表面温度。

-蒸汽、灰尘、烟雾等会妨碍装置的光学系统，从而妨碍精确测量。

#### • 辐射率

辐射率是一个用来描述材料能量辐射特性的术语。

大多数（90%的典型应用）有机材料和涂漆或氧化表面的辐射率为0.95（单位中预设）。

测量闪亮或抛光的金属表面会导致读数不准确。为了进行补偿，用胶带或黑漆覆盖待测表面。留出时间让胶带达到与其下面的材料相同的温度。

测量胶带或涂漆表面的温度。

## 11. 辐射率表

| 物质  | 热辐射率        | 物质      | 热辐射率        |
|-----|-------------|---------|-------------|
| 沥青  | 0.90 至 0.98 | 布 (黑色)  | 0.98        |
| 混凝土 | 0.94        | 人的皮肤    | 0.98        |
| 水泥  | 0.96        | 肥皂泡     | 0.75 至 0.80 |
| 砂子  | 0.90        | 焦炭 (粉末) | 0.96        |
| 土壤  | 0.92 至 0.96 | 清漆      | 0.80 至 0.95 |
| 水   | 0.92 至 0.96 | 清漆 (无光) | 0.97        |
| 冰   | 0.96 至 0.98 | 橡胶 (黑色) | 0.94        |
| 雪   | 0.83        | 塑料      | 0.85 至 0.95 |
| 玻璃  | 0.90 至 0.95 | 木头      | 0.90        |
| 陶瓷  | 0.90 至 0.94 | 纸       | 0.70 至 0.94 |
| 大理石 | 0.94        | 氧化铬     | 0.81        |
| 石膏  | 0.80 至 0.90 | 氧化铜     | 0.78        |
| 灰浆  | 0.89 至 0.91 | 氧化铁     | 0.78 至 0.82 |
| 砖   | 0.93 至 0.96 | 织物      | 0.90        |

## 12. 备件

| 订货号       | 描述                |
|-----------|-------------------|
| TMDT 2-30 | 接触探头              |
| TDTC 1/X  | 不含缓冲填料的通用手提箱, 尺寸X |



The contents of this publication are the copyright of the publisher and may not be reproduced (even extracts) unless prior written permission is granted. Every care has been taken to ensure the accuracy of the information contained in this publication but no liability can be accepted for any loss or damage whether direct, indirect or consequential arising out of the use of the information contained herein.

Nachdruck, auch auszugsweise, nur mit unserer vorherigen schriftlichen Genehmigung gestattet. Die Angaben in dieser Druckschrift wurden mit größter Sorgfalt auf ihre Richtigkeit hin überprüft. Trotzdem kann keine Haftung für Verluste oder Schäden irgendwelcher Art übernommen werden, die sich mittelbar oder unmittelbar aus der Verwendung der hier enthaltenen Informationen ergeben.

El contenido de esta publicación es propiedad de los editores y no puede reproducirse (incluso parcialmente) sin autorización previa por escrito. Se ha tenido el máximo cuidado para garantizar la exactitud de la información contenida en esta publicación, pero no se acepta ninguna responsabilidad por pérdidas o daños, ya sean directos, indirectos o consecuentes, que se produzcan como resultado del uso de dicha información.

Le contenu de cette publication est soumis au copyright de l'éditeur et sa reproduction, même partielle, est interdite sans autorisation écrite préalable. Le plus grand soin a été apporté à l'exactitude des informations données dans cette publication mais SKF décline toute responsabilité pour les pertes ou dommages directs ou indirects découlant de l'utilisation du contenu du présent document.

La riproduzione, anche parziale, del contenuto di questa pubblicazione è consentita soltanto previa autorizzazione scritta della SKF. Nella stesura è stata dedicata la massima attenzione al fine di assicurare l'accuratezza dei dati, tuttavia non si possono accettare responsabilità per eventuali errori od omissioni, nonché per danni o perdite diretti o indiretti derivanti dall'uso delle informazioni qui contenute.

O conteúdo desta publicação é de direito autoral do editor e não pode ser reproduzido (nem mesmo parcialmente), a não ser com permissão prévia por escrito. Todo cuidado foi tomado para assegurar a precisão das informações contidas nesta publicação, mas nenhuma responsabilidade pode ser aceita por qualquer perda ou dano, seja direto, indireto ou consequente como resultado do uso das informações aqui contidas.

Содержание этой публикации является собственностью издателя и не может быть воспроизведено (даже частично) без предварительного письменного разрешения. Несмотря на то, что были приняты все меры по обеспечению точности информации, содержащейся в настоящем издании, издатель не несёт ответственности за любой ущерб, прямой или косвенный, вытекающий из использования вышеуказанной информации.

本出版物内容的著作权归出版者所有且未经事先书面许可不得被复制(甚至引用)。我们已采取了一切注意措施以确定本出版物包含的信息准确无误,但我们不对因使用此等信息而产生的任何损失或损害承担任何责任,不论此等责任是直接、间接或附随性的。



[skf.com](https://skf.com) • [skf.com/mapro](https://skf.com/mapro)

® SKF is a registered trademark of the SKF Group.

© SKF Group 2025

MP5495 • 2025/02